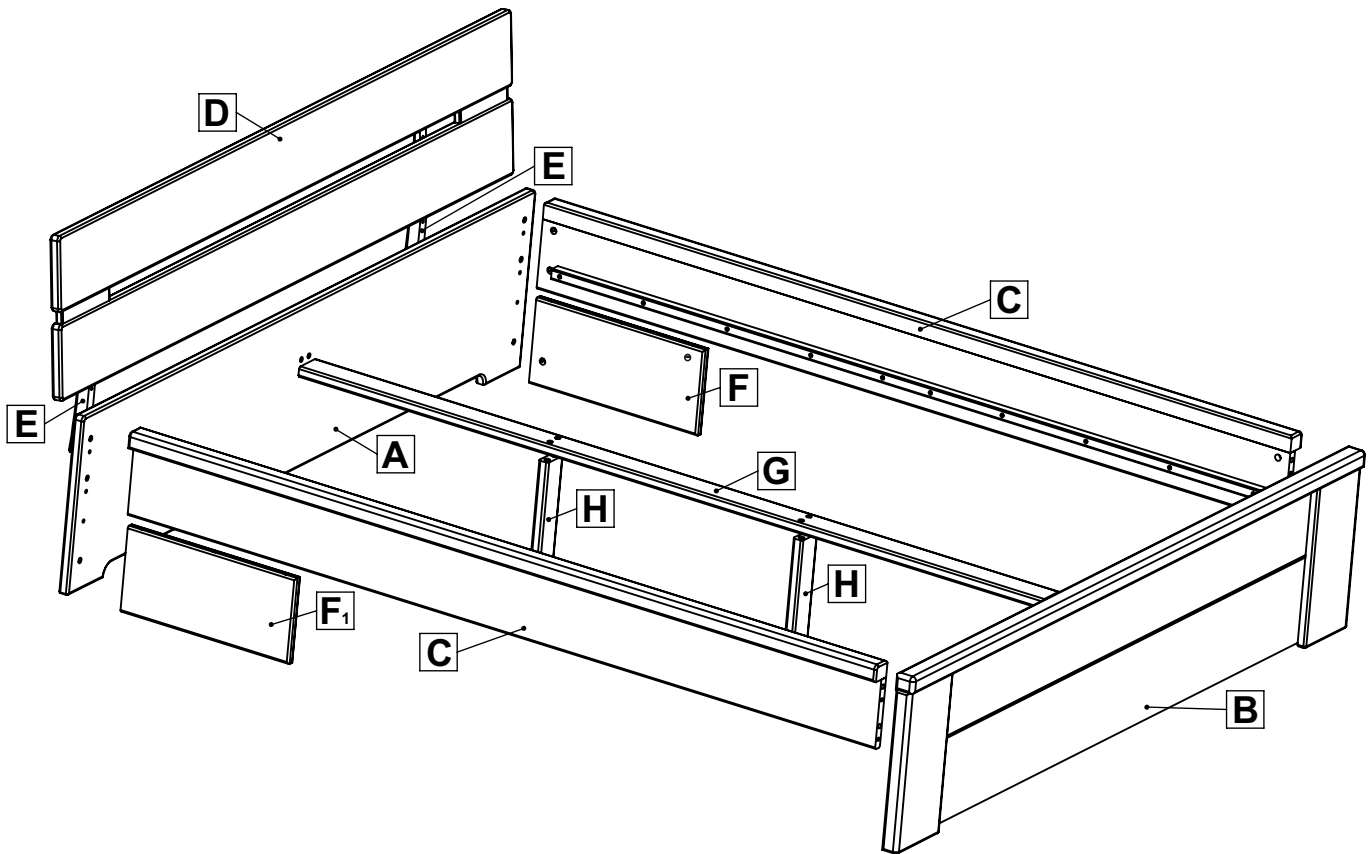

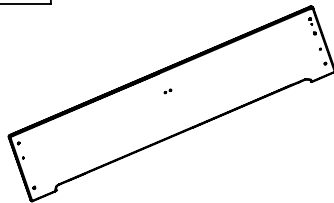

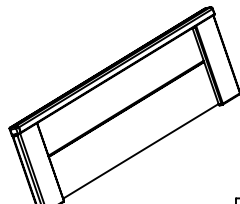

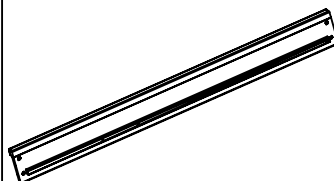

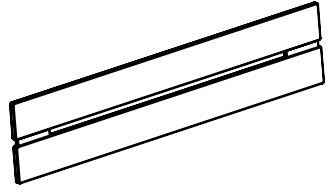

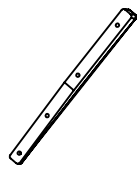

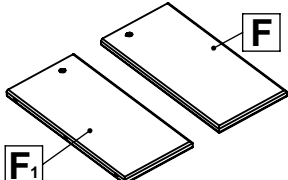

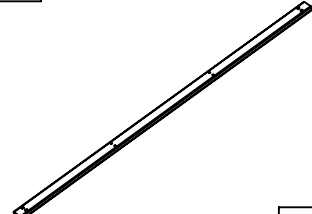








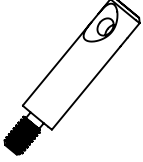

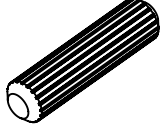

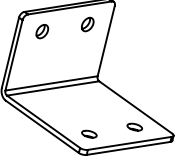

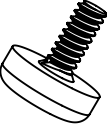
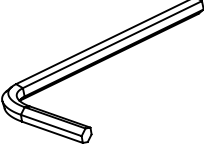
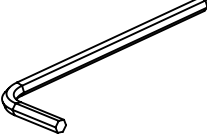


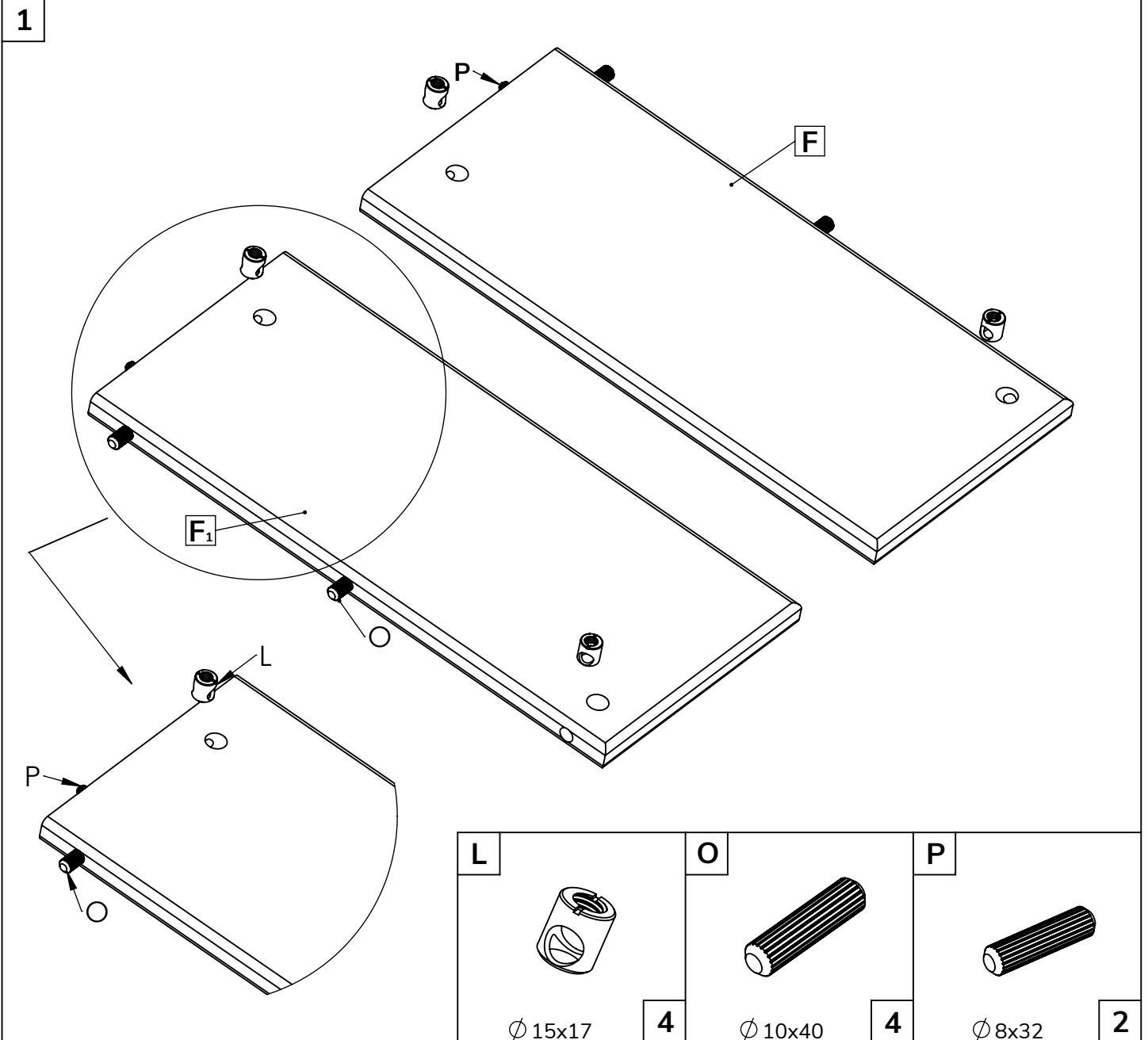
2

45'

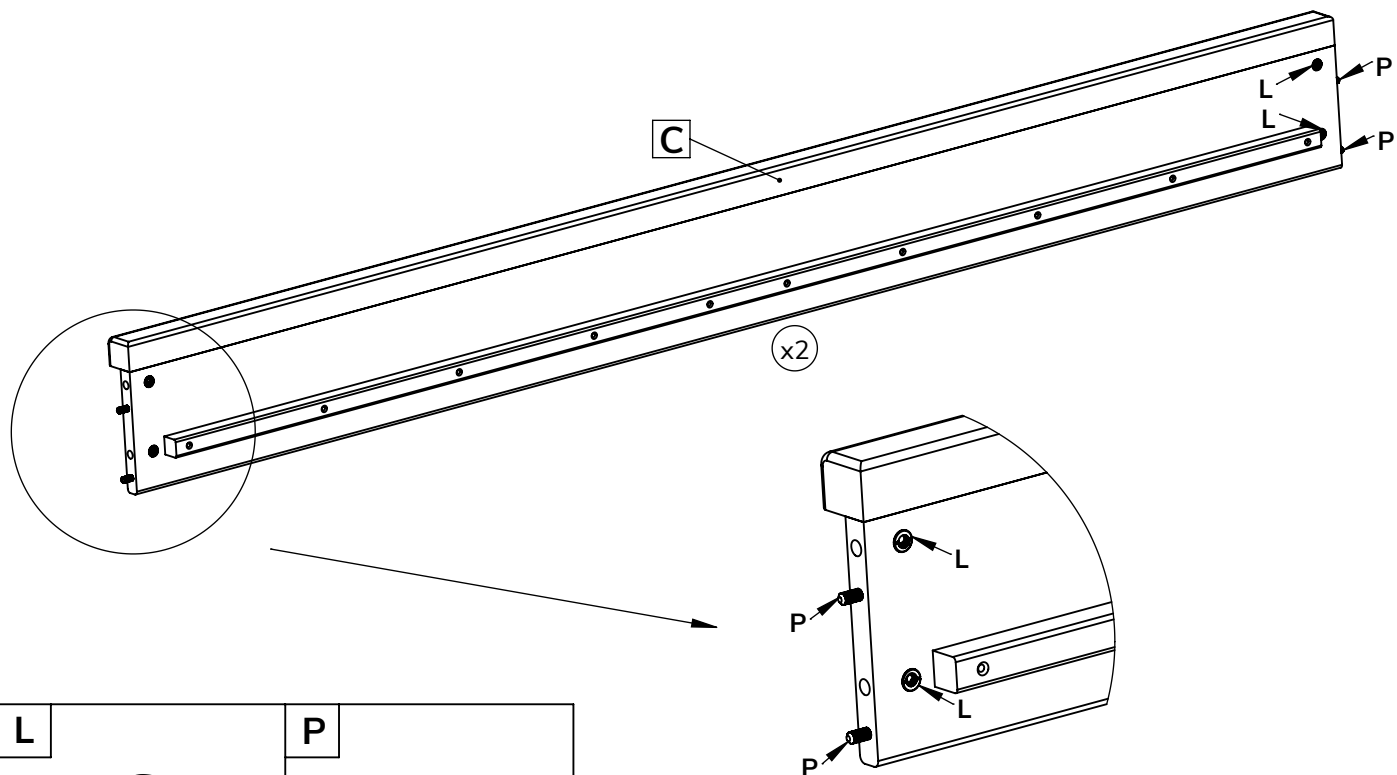


<p>A  2/3</p> 	<p>B  2/3</p> 	<p>C  1/3</p> 	<p>D  3/3</p> 
<p>150/170/190/210x43.2x2.5 1</p> <p>E  3/3</p>  <p>38x4x2.5 2</p>	<p>150/170/190/210x43.2x4.7 1</p> <p>F+F₁  2/3</p>  <p>45x20.8x2 2</p>	<p>200x21x4.7 2</p> <p>G  1/3</p>  <p>199x7x2.5 1</p>	<p>150/170/190/210x39x2.5 1</p> <p>H  1/3</p>  <p>25.7x6.5x2.5 2</p>

I  M6x50 2	J  M6x40 8	K  M6x30 2	L  \varnothing 15x17 12	M  \varnothing 10x48.5 12
N  M10x10 12	O  \varnothing 10x40 4	P  \varnothing 8x32 10	Q  70x50x65 2	R  M6x16 8
S  M6x20 2	T  Sw5 1	U  Sw4 1		



2



L



Ø 15x17

8

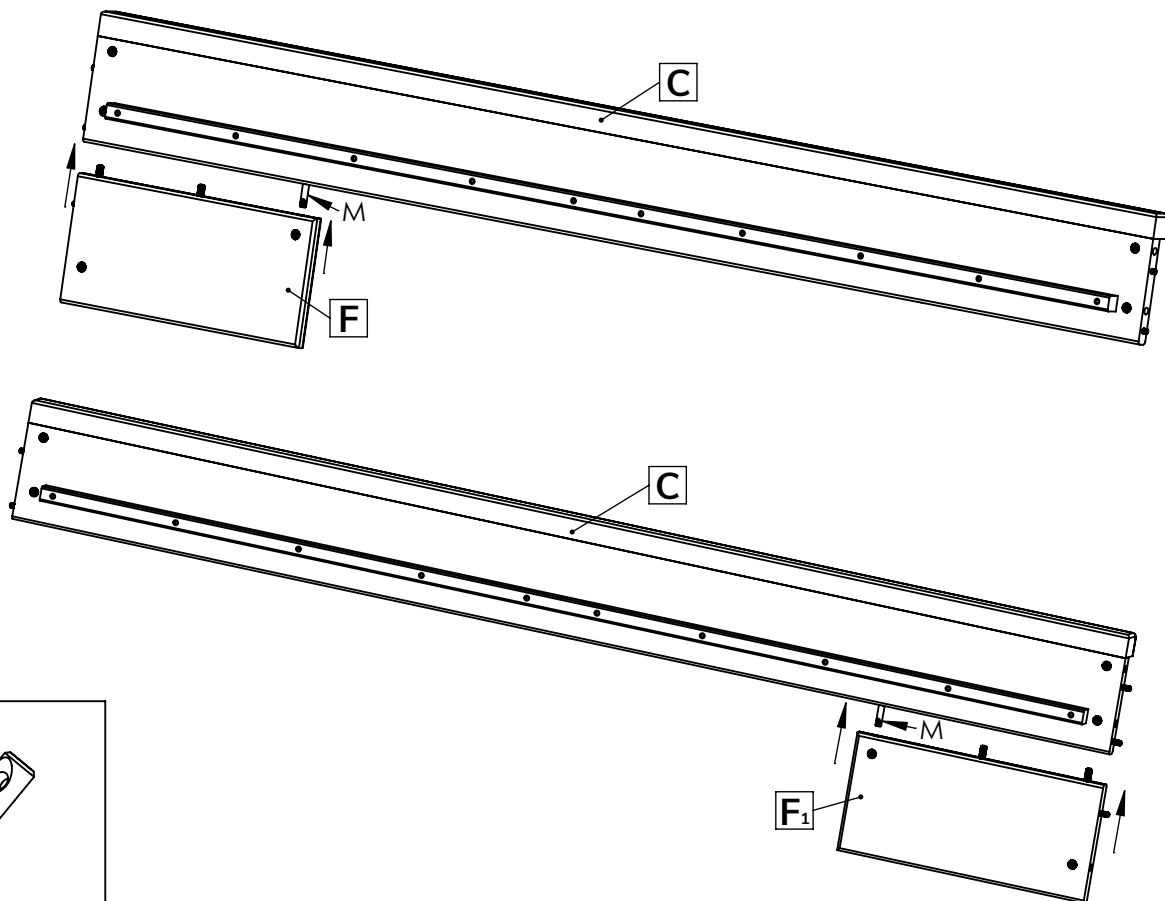
P



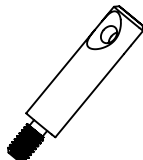
Ø 8x32

8

3

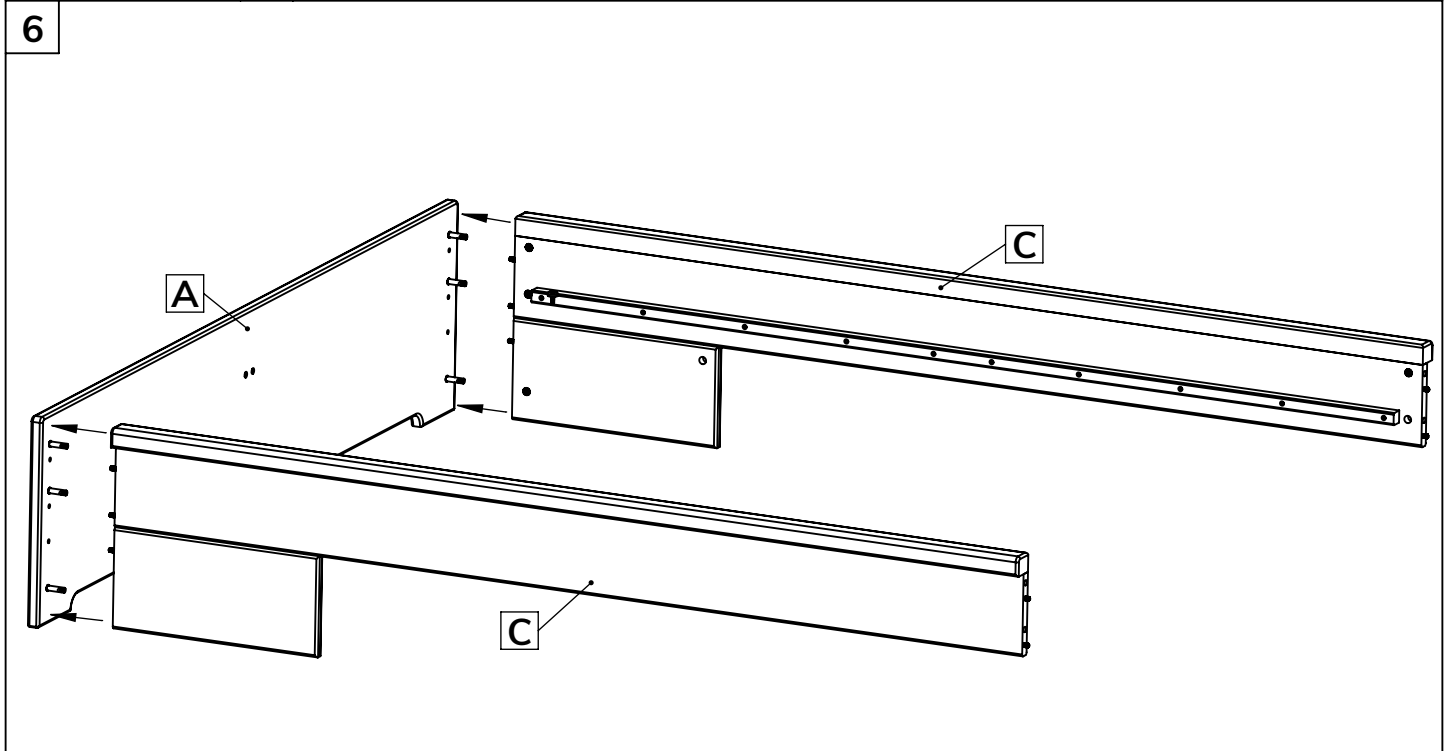
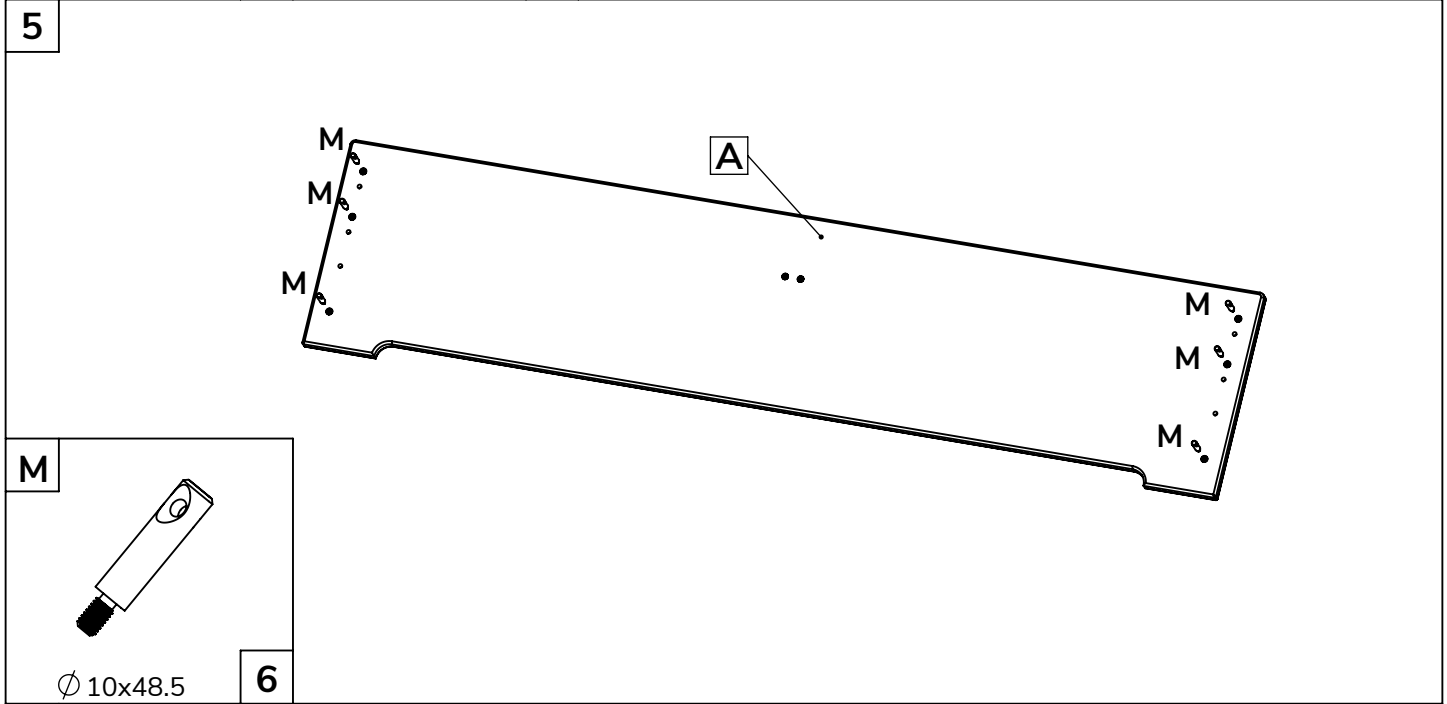
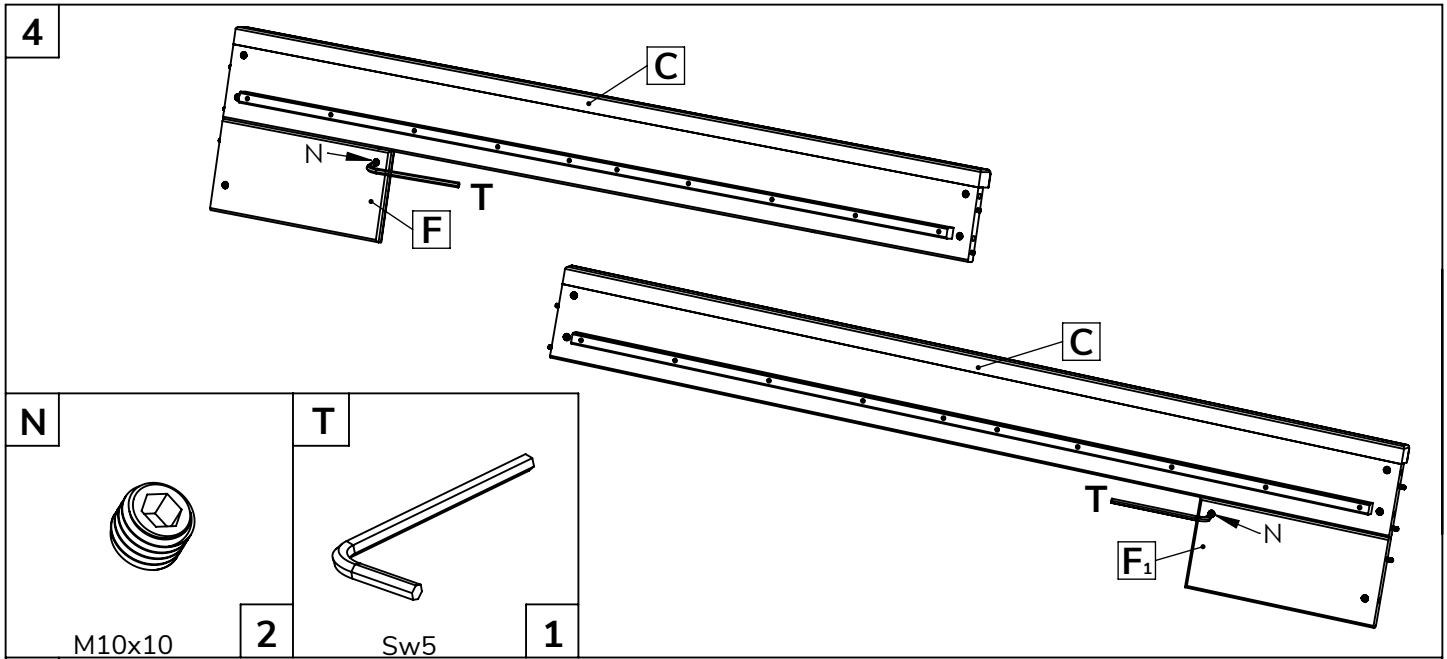


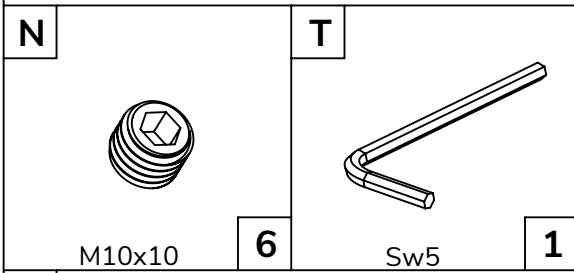
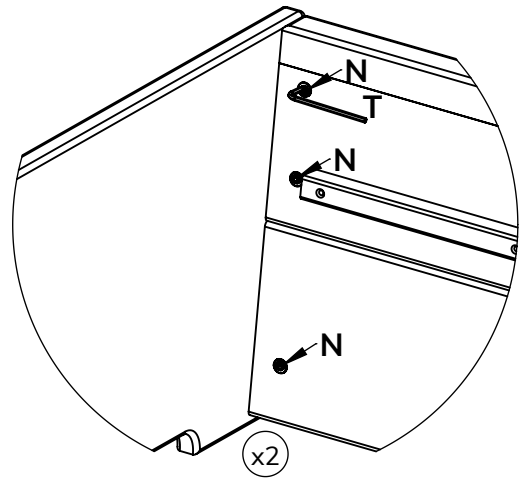
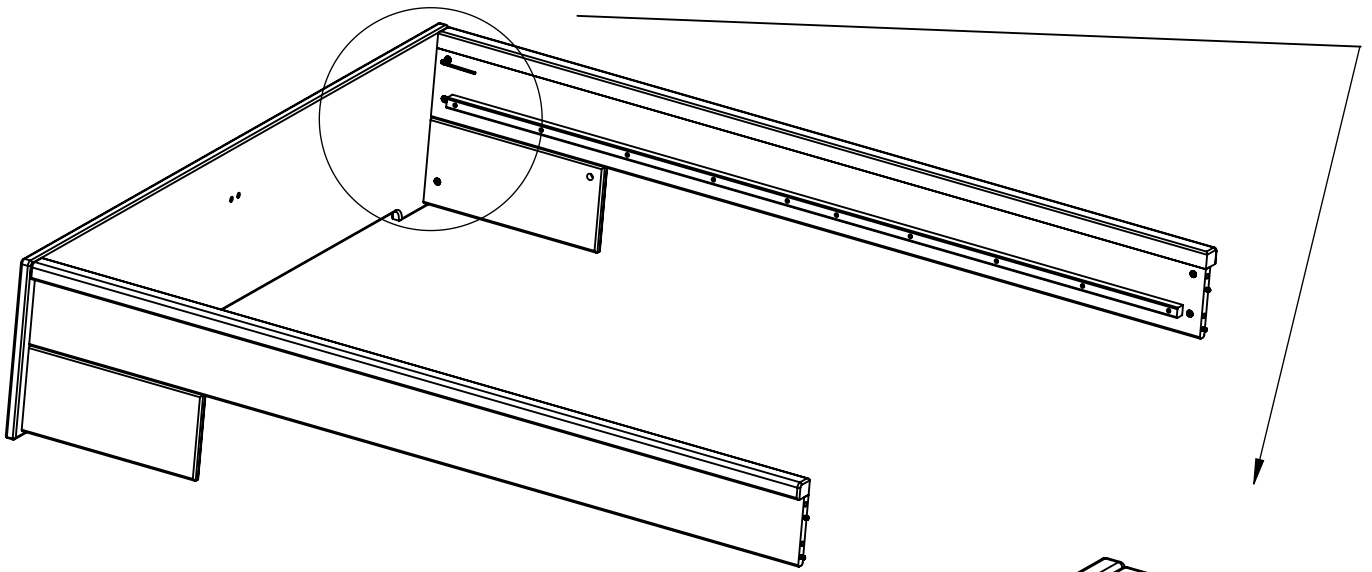
M



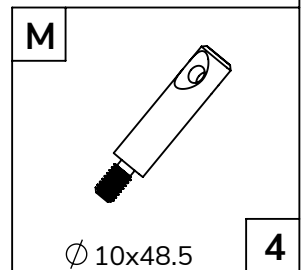
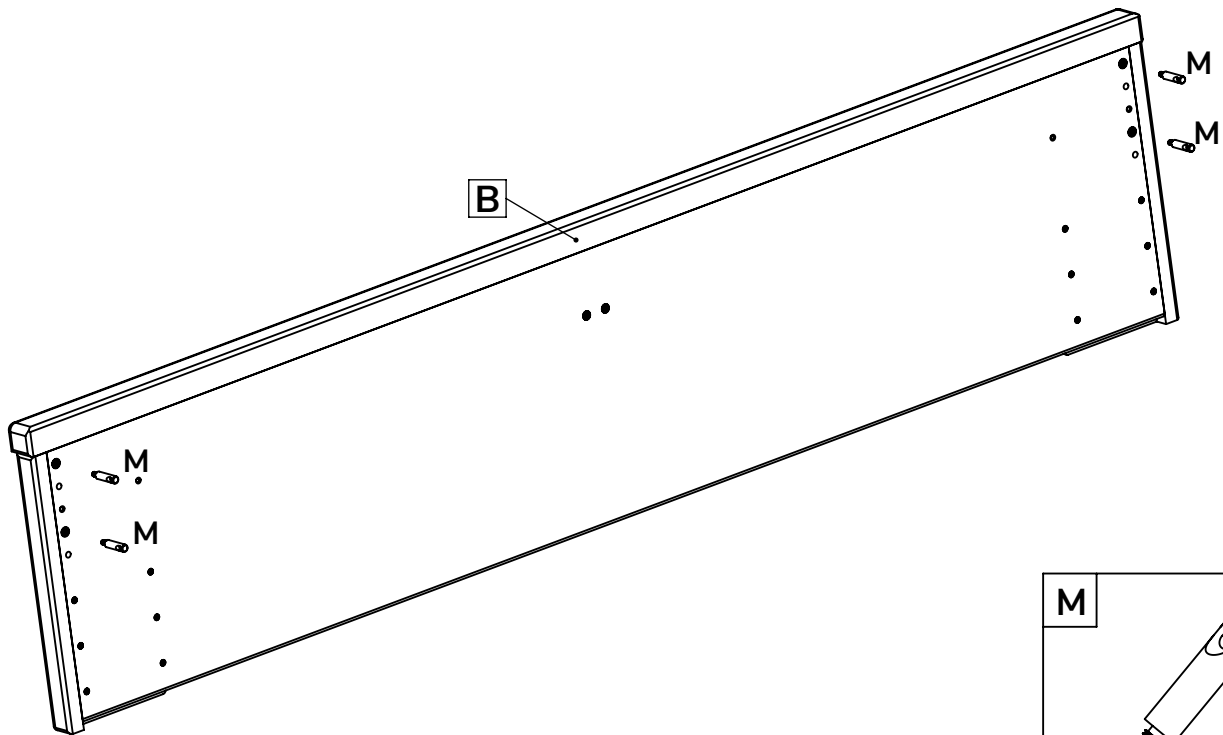
Ø 10x48.5

2

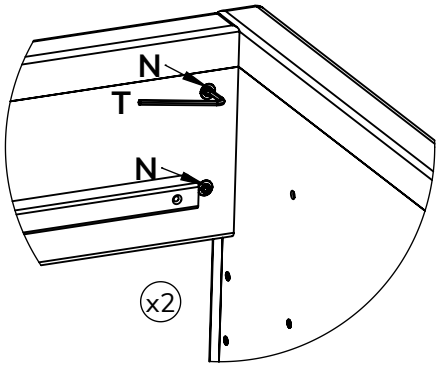
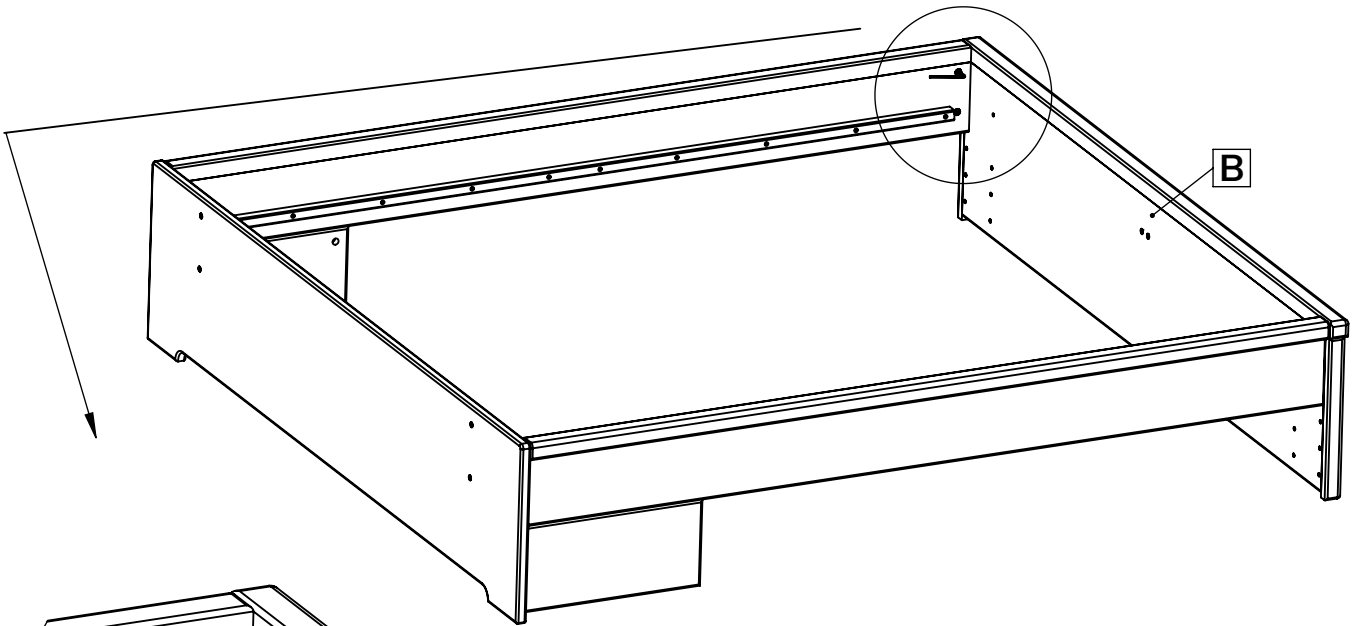
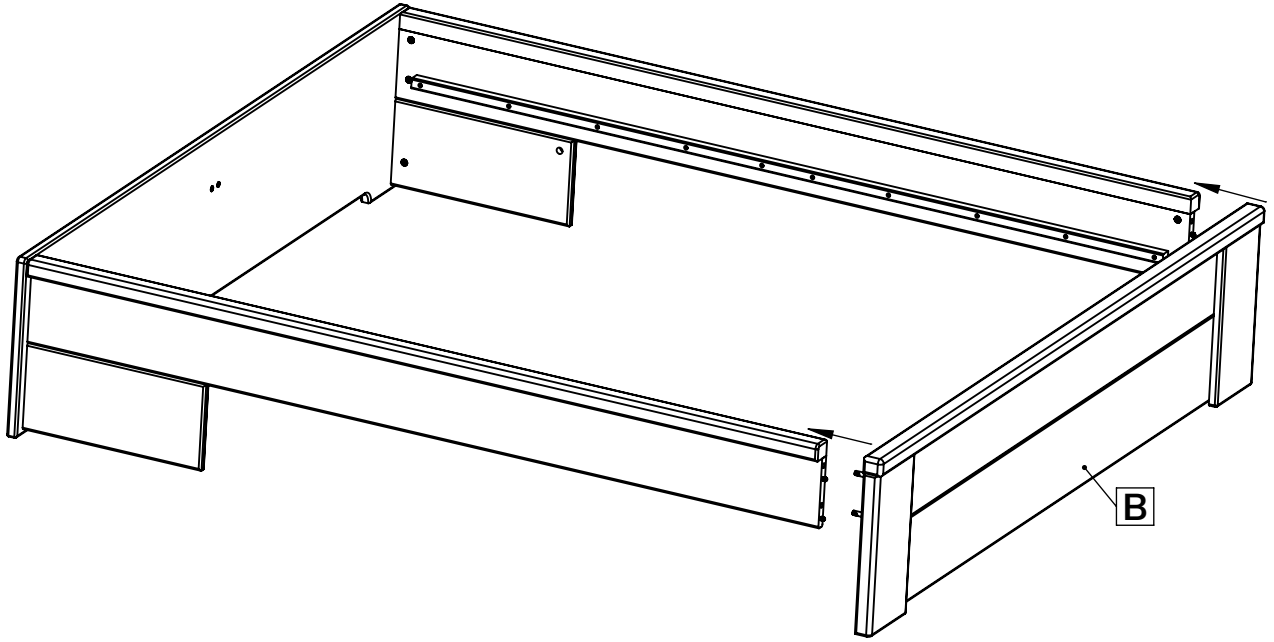



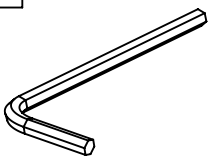


7

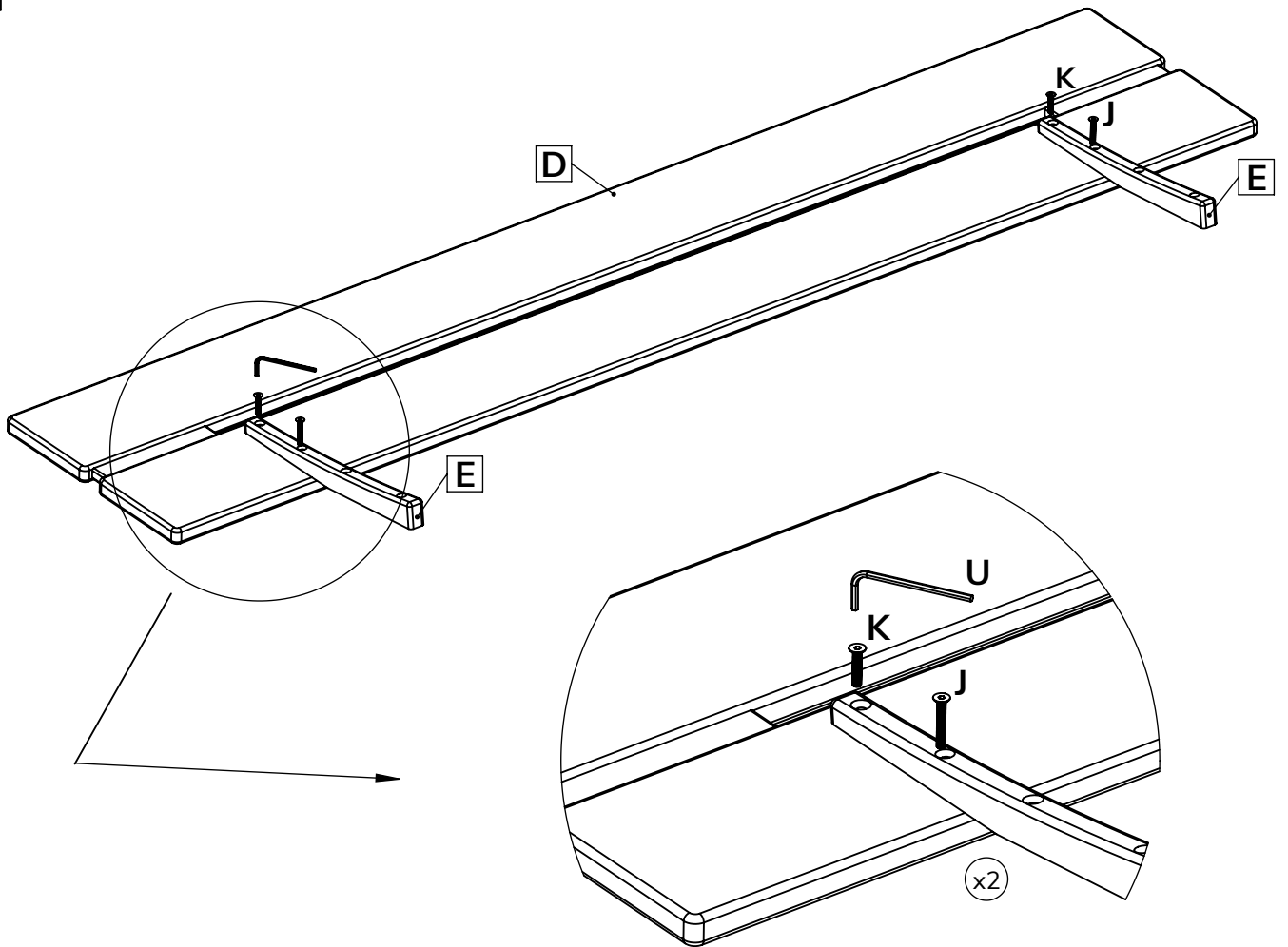


8

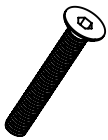


<p>N</p>  <p>M10x10</p> <p>4</p>	<p>T</p>  <p>Sw5</p> <p>1</p>
---	--

9



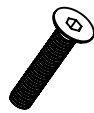
J



M6x40

2

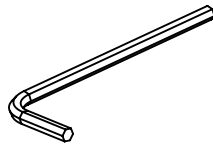
K



M6x30

2

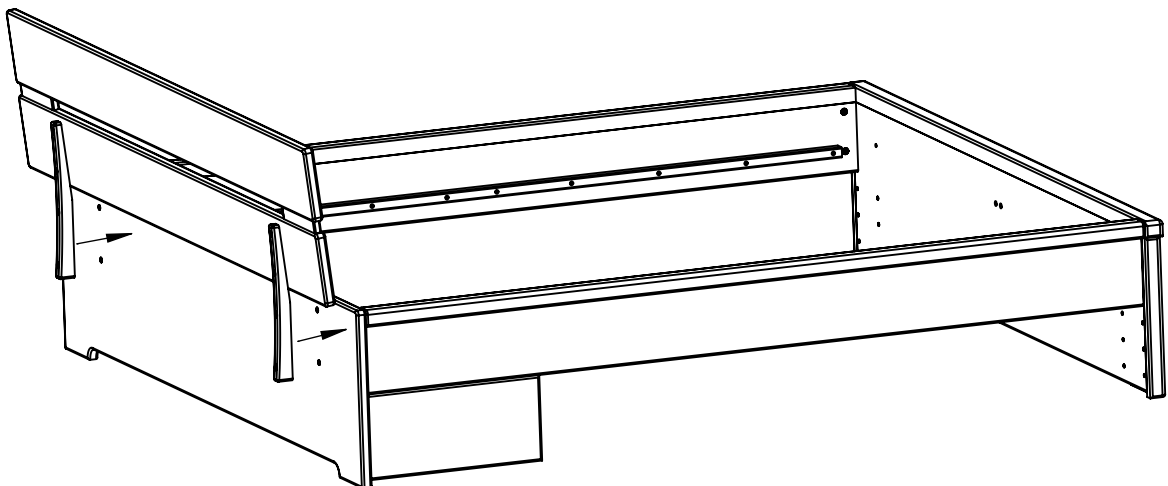
U

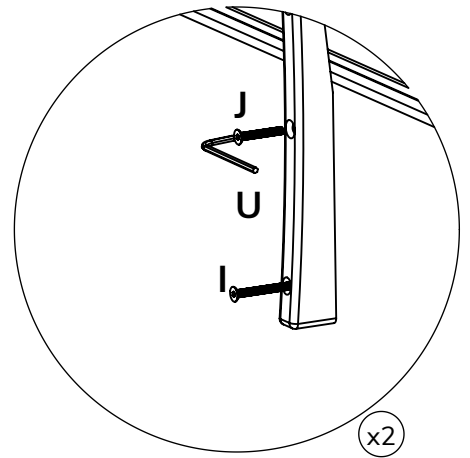
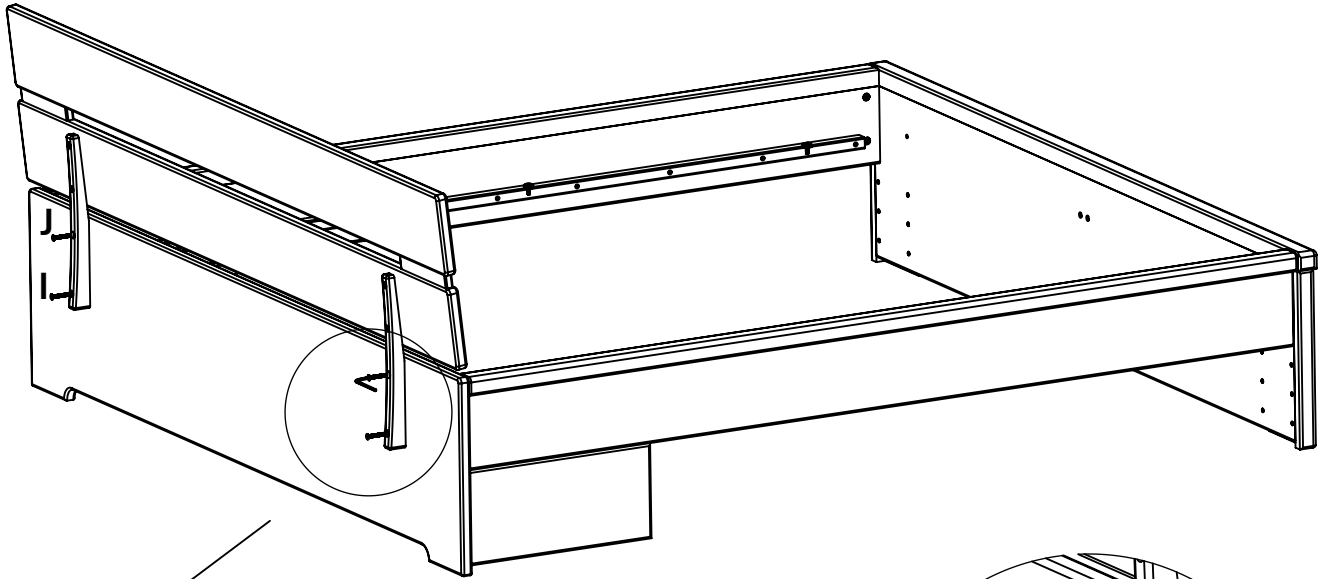




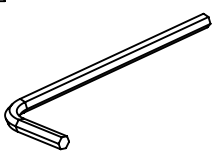
Sw4

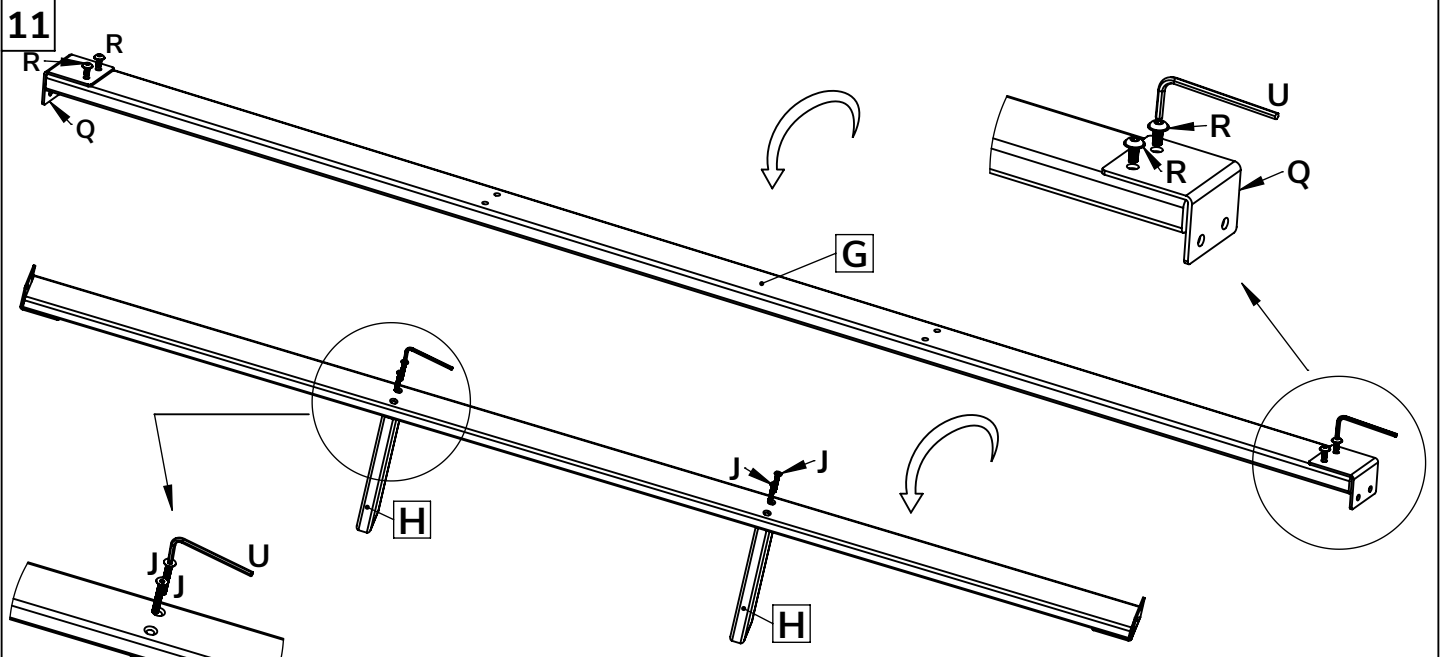
1

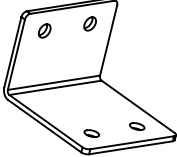

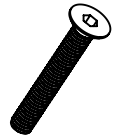
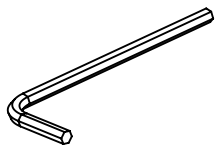
10

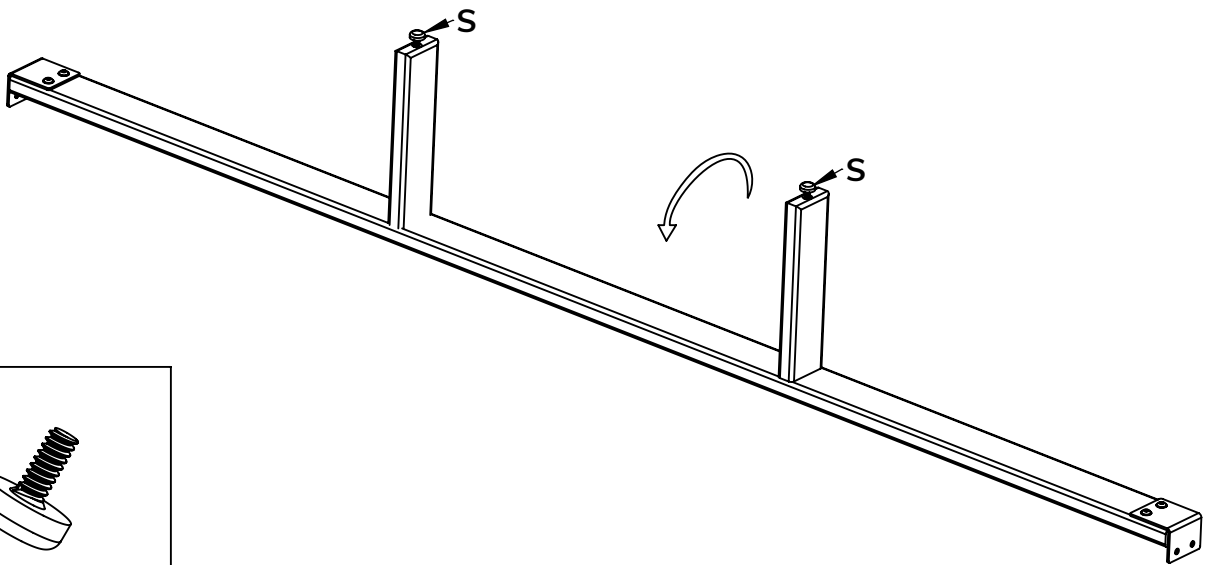




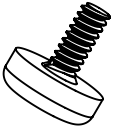
<p>I</p>  <p>M6x50</p> <p>2</p>	<p>J</p>  <p>M6x40</p> <p>2</p>	<p>U</p>  <p>Sw4</p> <p>1</p>
--	--	--



<p>Q</p>  <p>70x50x65</p> <p>2</p>	<p>R</p>  <p>M6x16</p> <p>4</p>	<p>J</p>  <p>M6x40</p> <p>4</p>	<p>U</p>  <p>Sw4</p> <p>1</p>
---	--	--	--



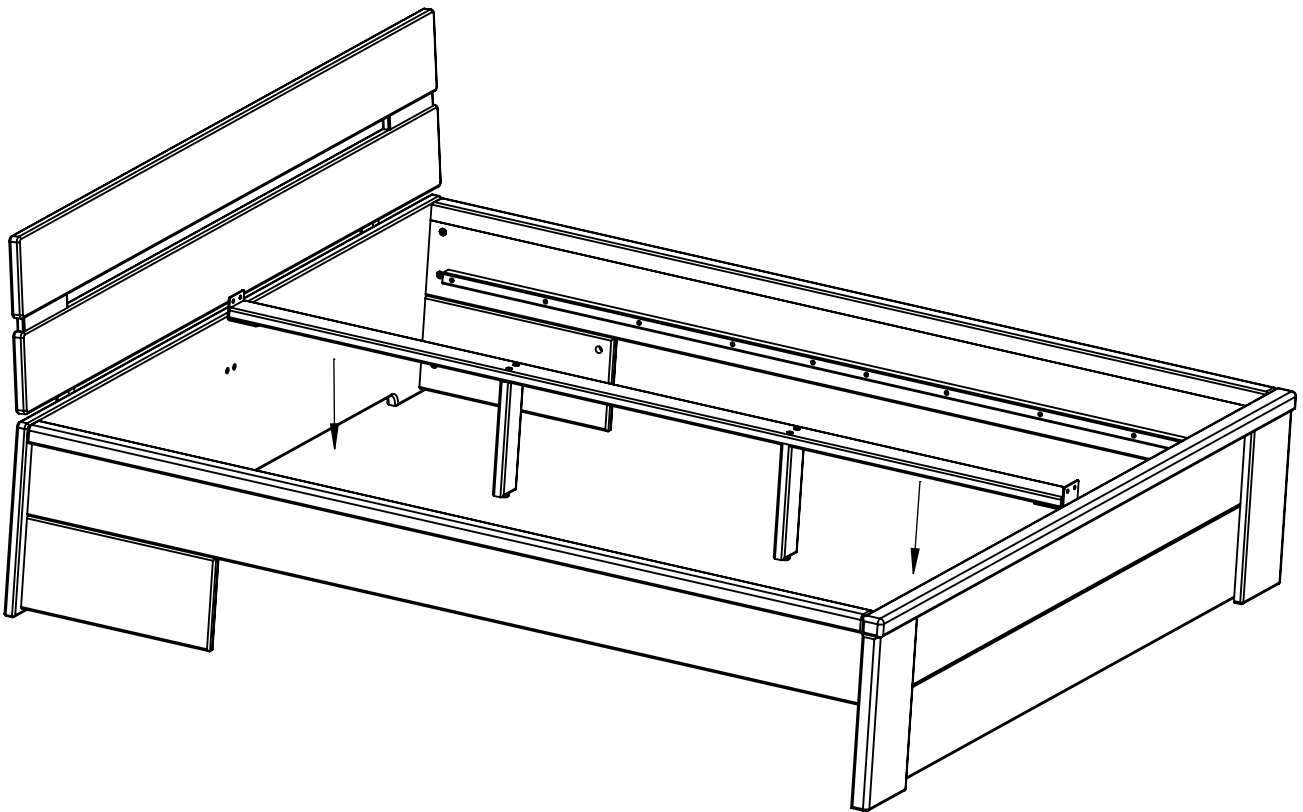
S

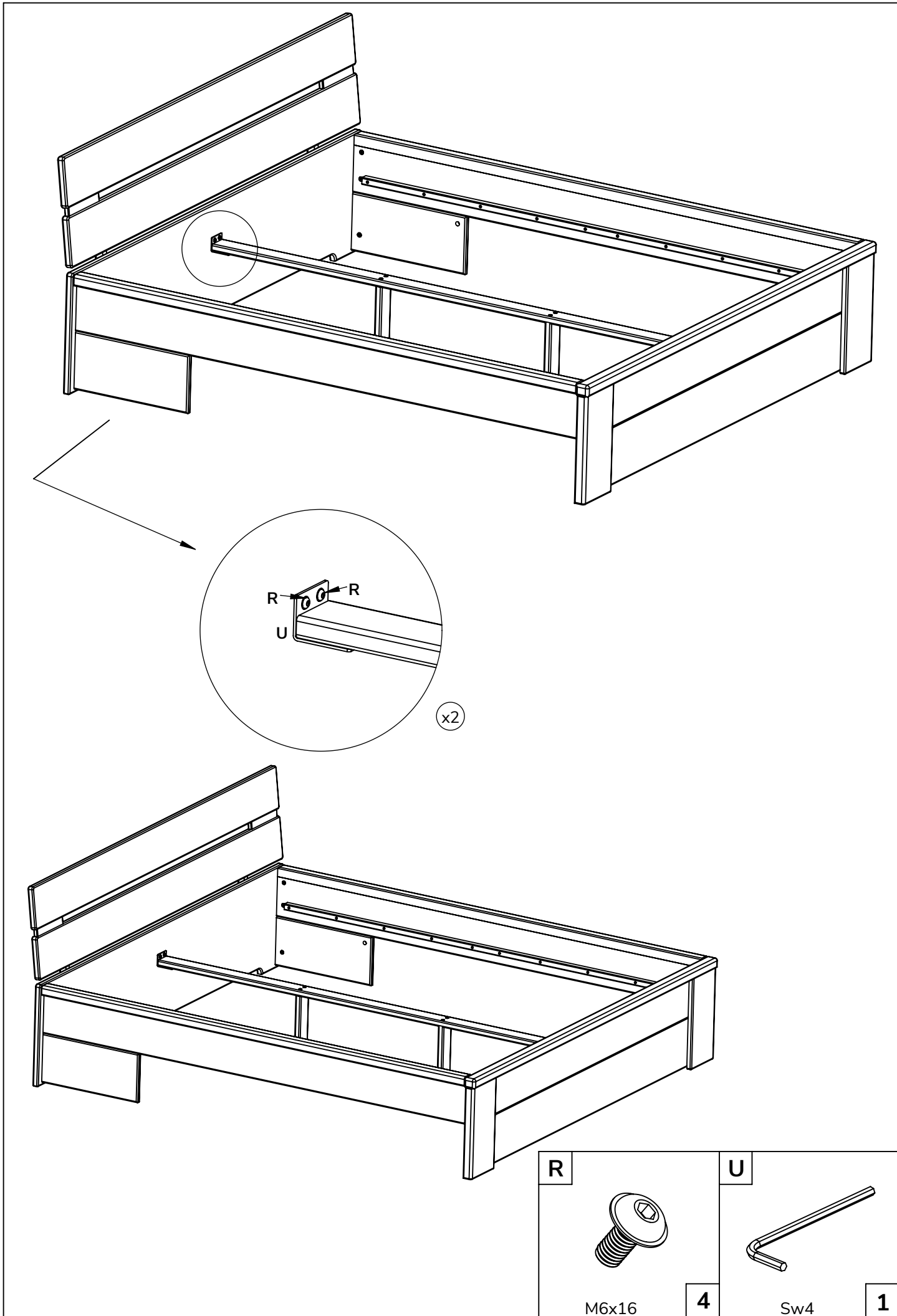


M6x20

2

12





R R
U

x2

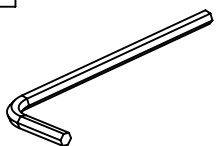
R



M6x16

4

U



Sw4

1