



Assembled size / Maße aufgebaut :

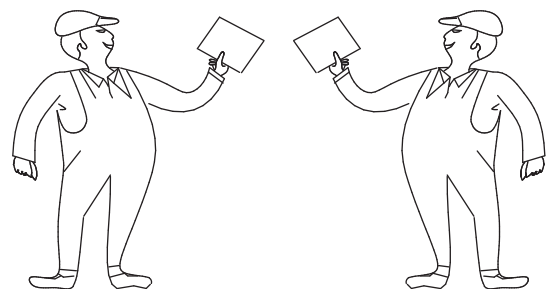
Height / Höhe : 511 mm.

Width / Breite : 578 mm.

Depth / Tiefe : 404 mm.

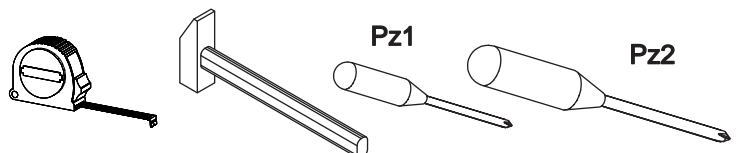
This unit can be assembled by two persons.

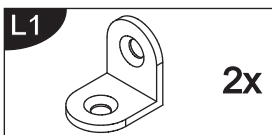
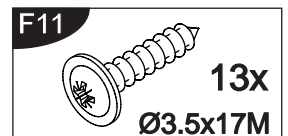
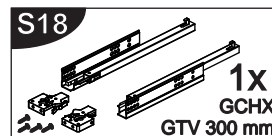
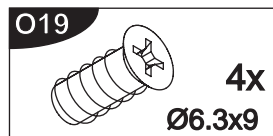
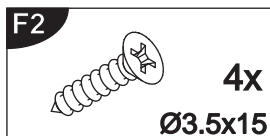
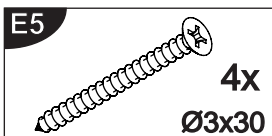
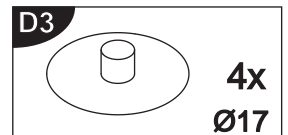
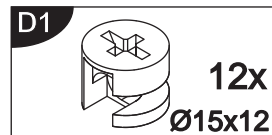
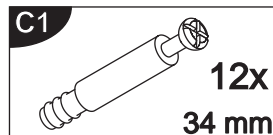
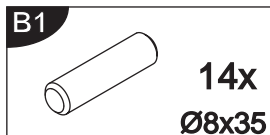
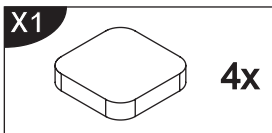
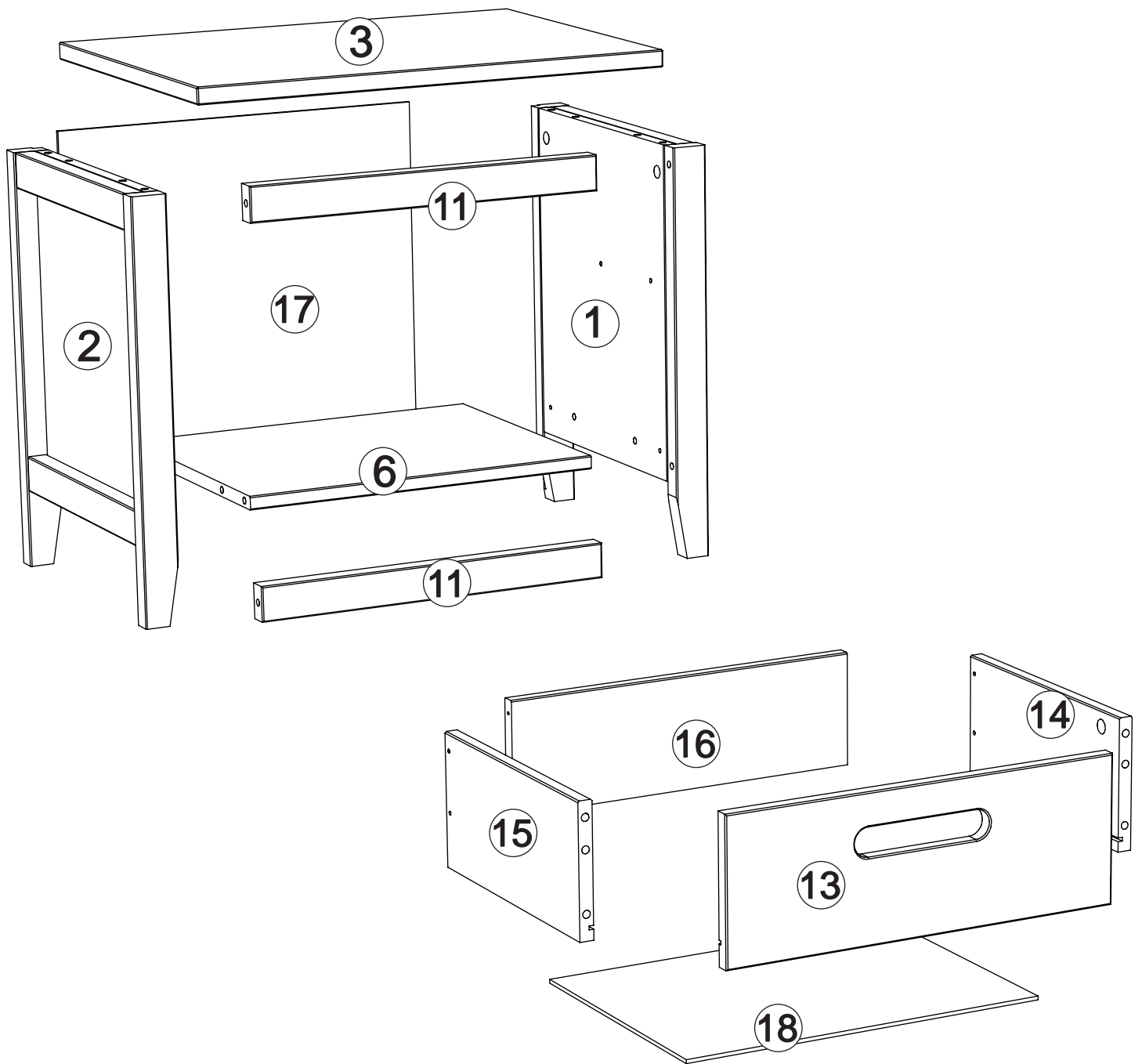
Aufbau mit zwei Personen.



**The necessary tools
(not included)**

**Die dazu benötigten Werkzeuge
(ausschliesslich)**





1 B1 x 12 D1 x 8

Diagram illustrating the assembly of components 1, 2, 6, and 11 using parts B1 and D1. The assembly shows the placement of bars (11) and the attachment of components (1, 2, 6) using parts B1 and D1. A detail shows the correct placement of a cap (D1) onto a bar (B1).

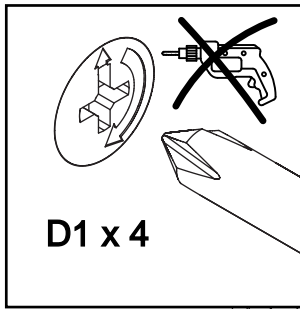
2 C1 x 8

Diagram illustrating the assembly of components 1, 2, and 3 using parts C1 and D1. The assembly shows the placement of bars (11) and the attachment of components (1, 2, 3) using parts C1 and D1. A detail shows the correct placement of a pin (C1) into a hole. A warning diagram shows that a power drill should not be used for this step.

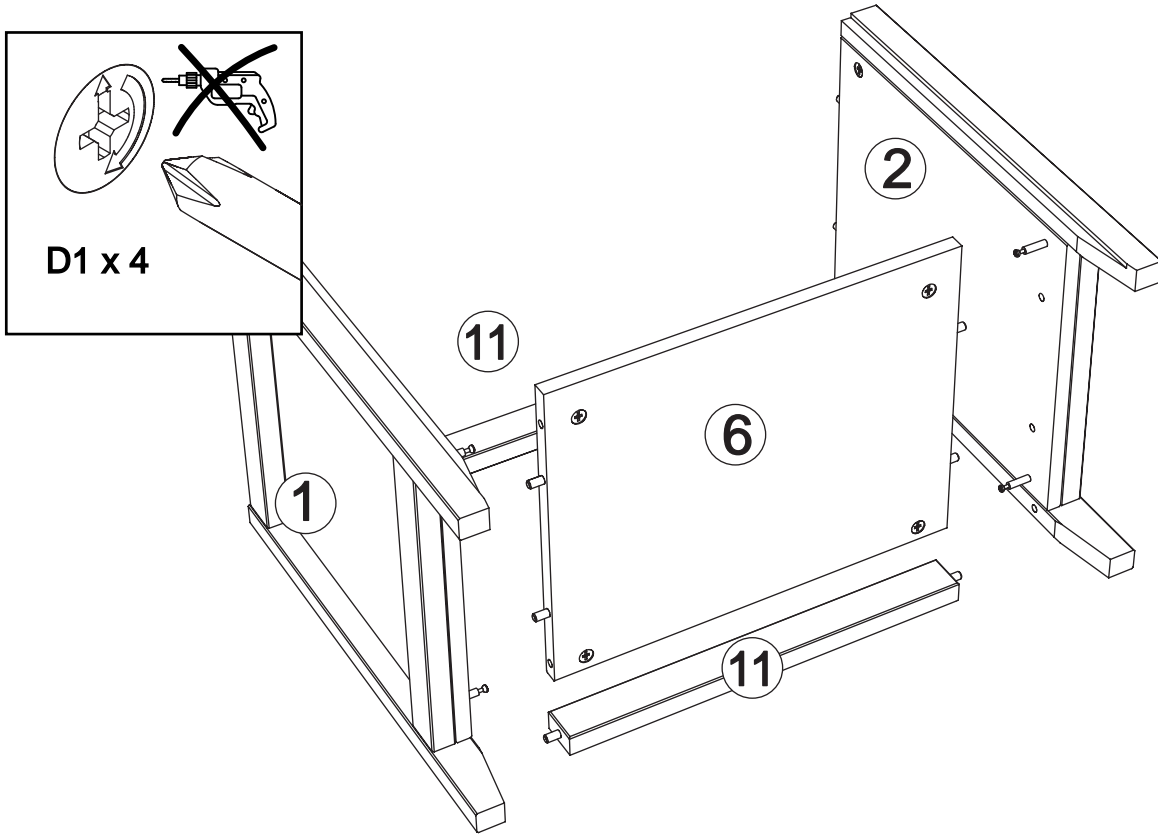
3



PZ2

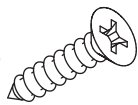


D1 x 4

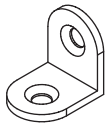


4

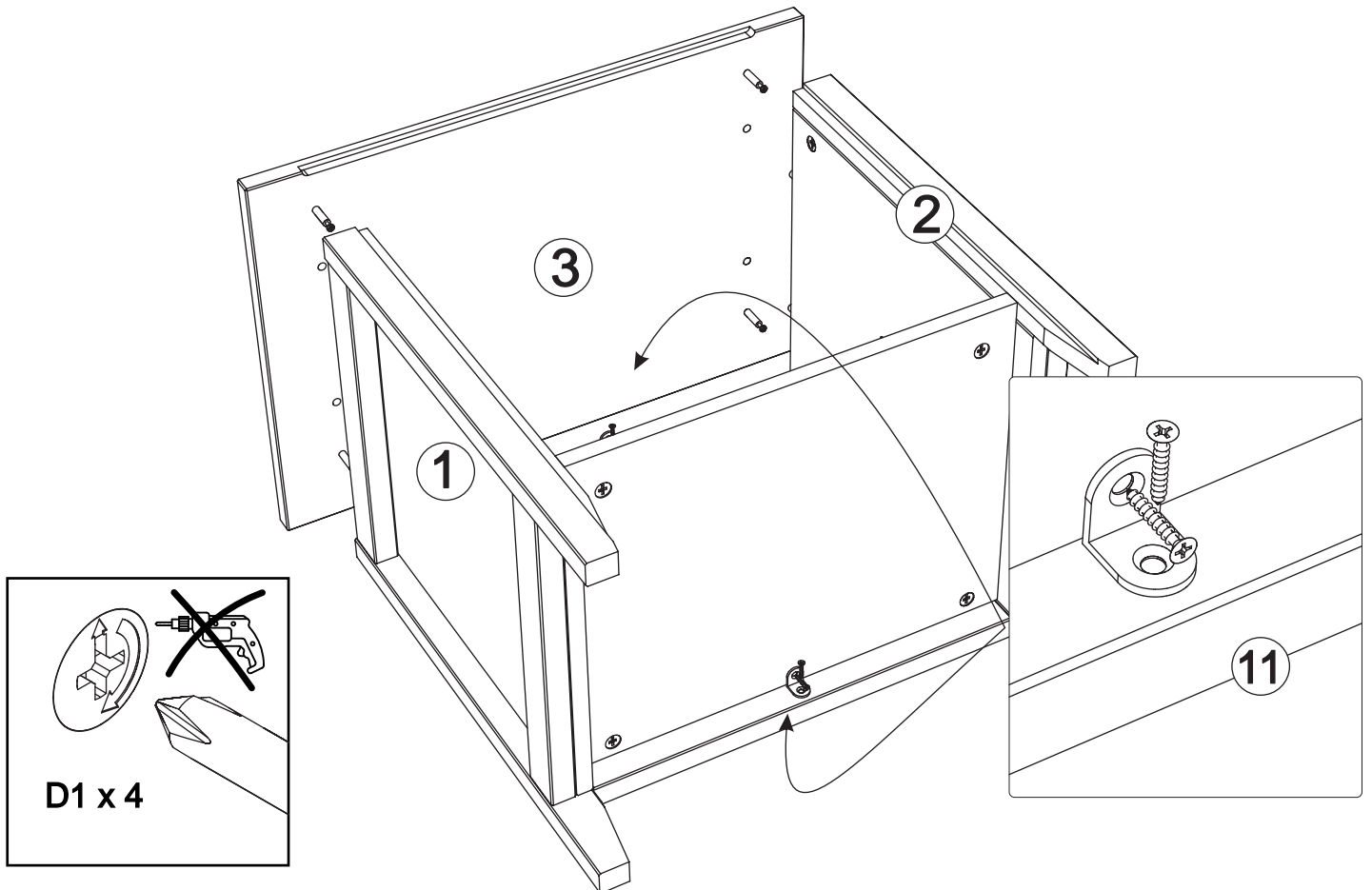
F2 x 4



L1 x 2



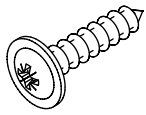
PZ2



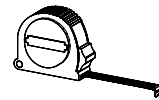
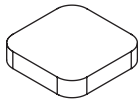
D1 x 4

5

F11 x 10



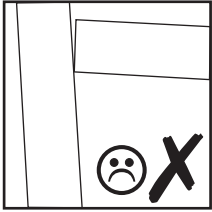
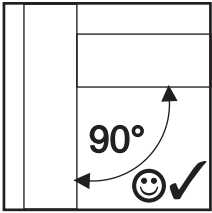
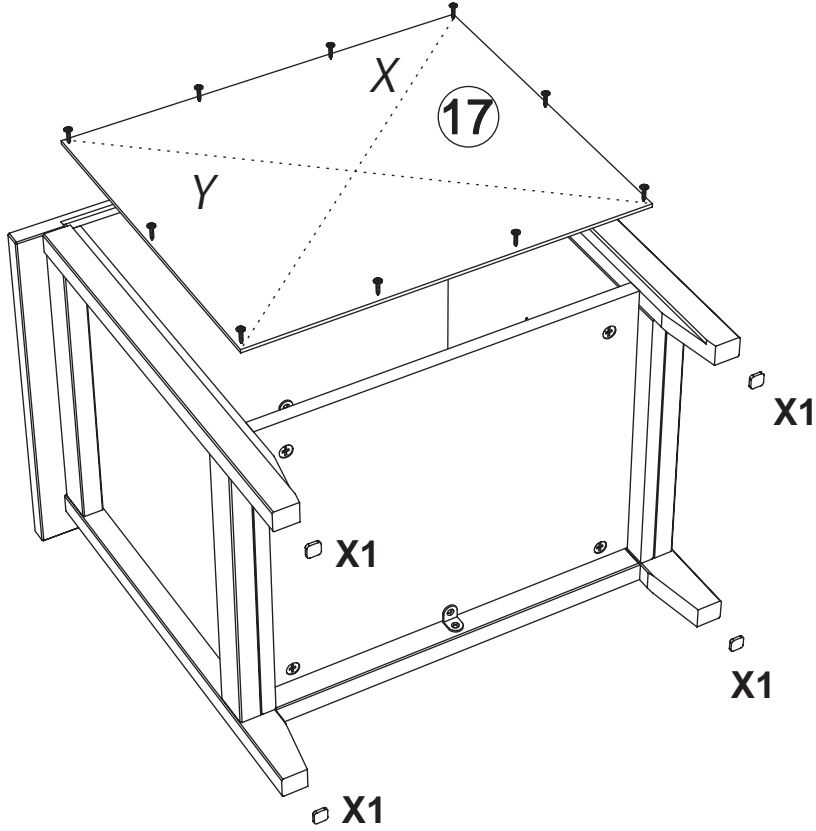
X1 x 4



PZ1

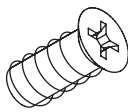


X = Y

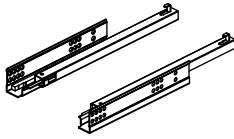


6

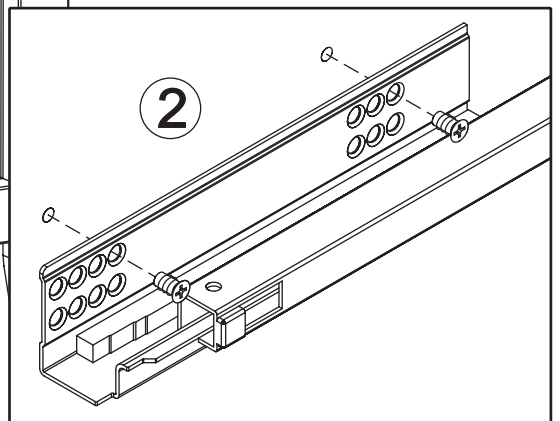
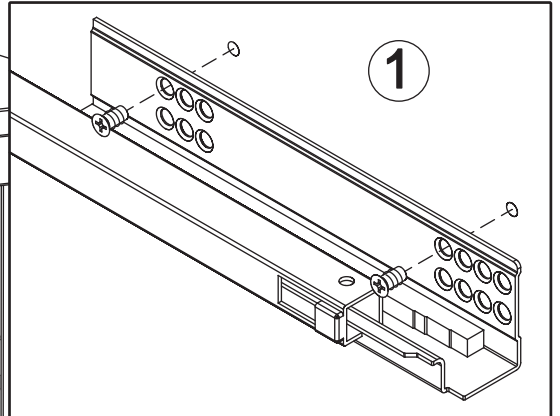
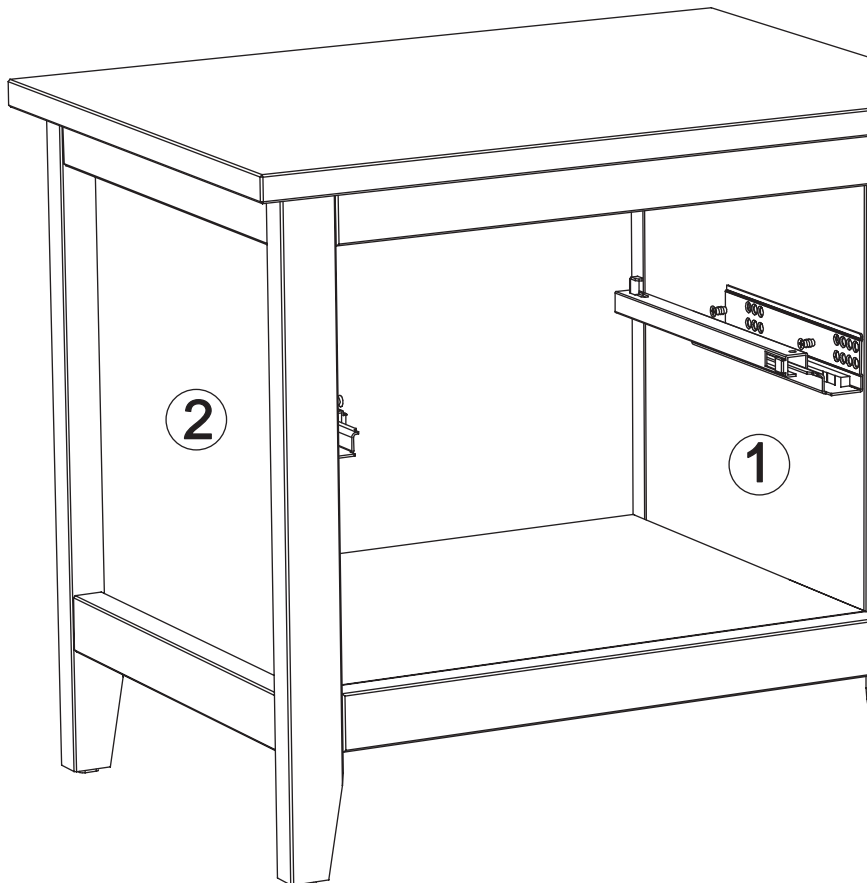
O19 x 4



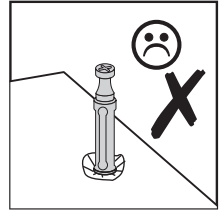
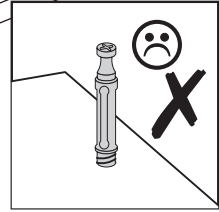
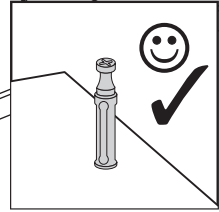
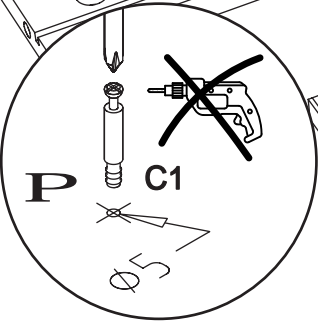
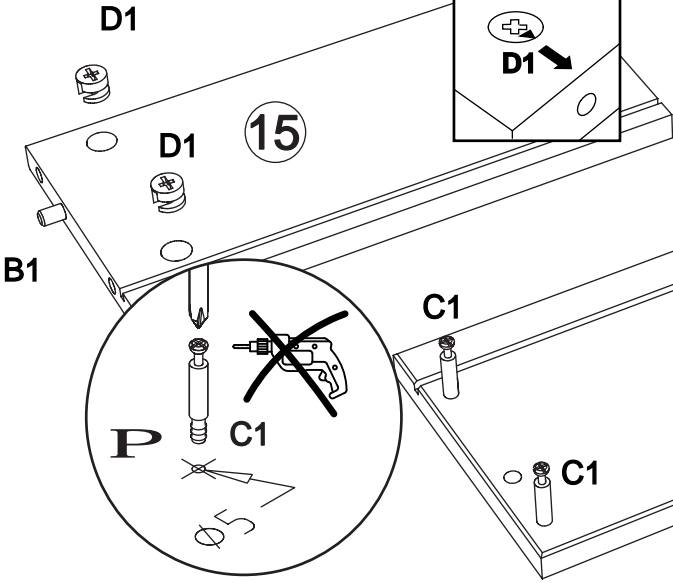
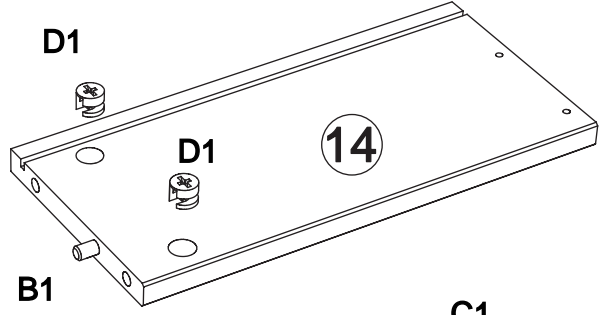
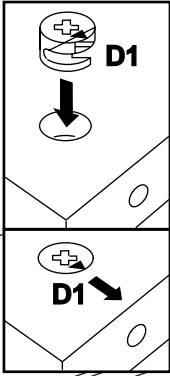
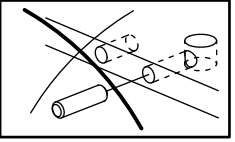
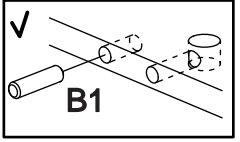
S18 x 1



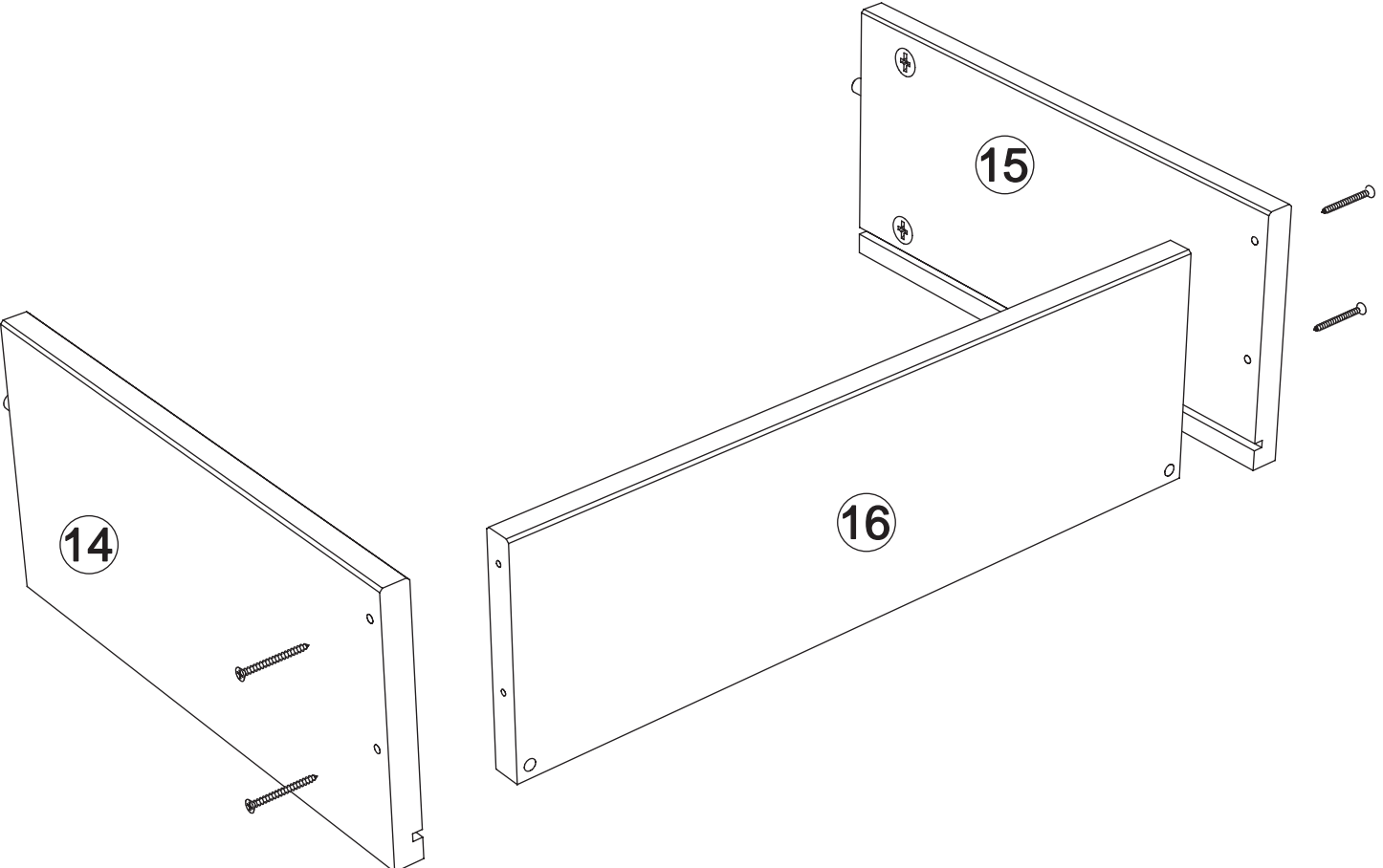
PZ2



7 B1 x 1  D1 x 4  C1 x 4    ~~~~ PZ2

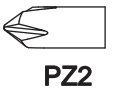
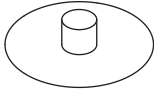


8 E5 x 4   ~~~~  PZ1

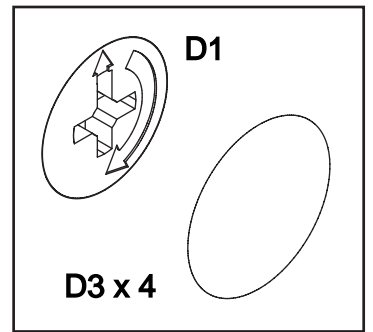
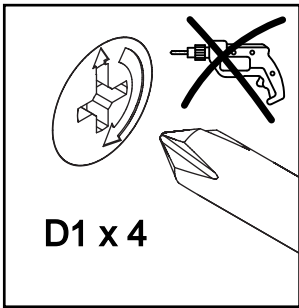
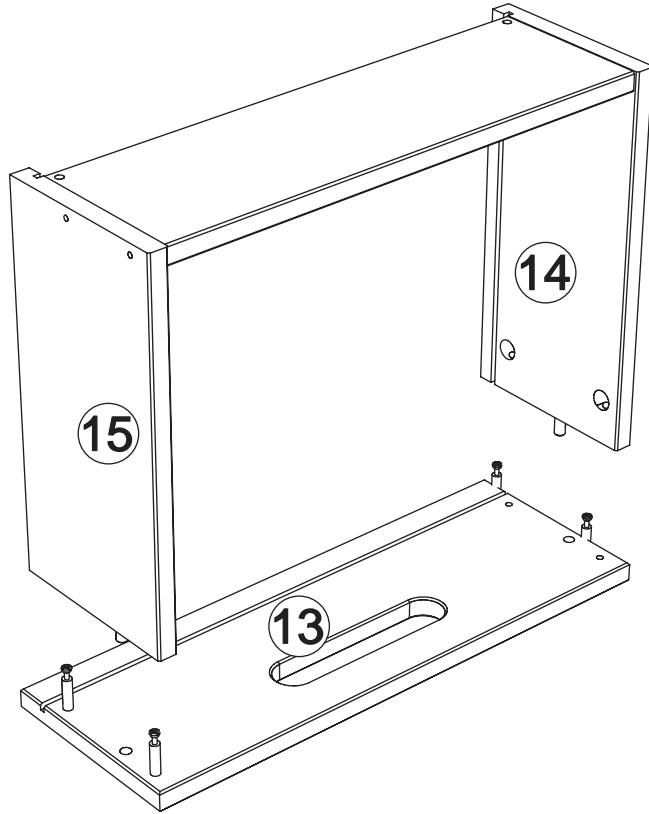


9

D3 x 4

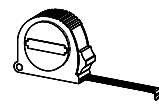
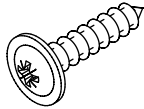


PZ2

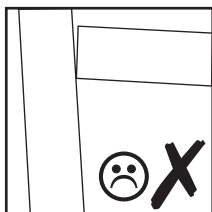
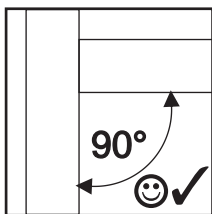
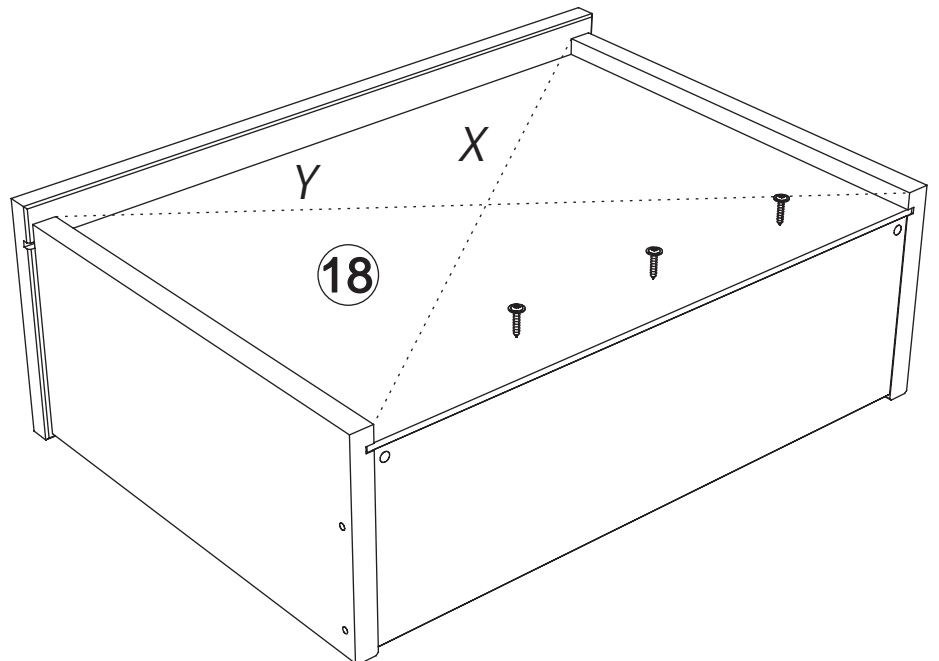
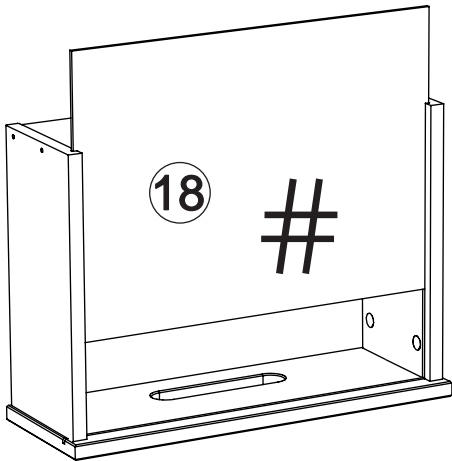


10

F11 x 3

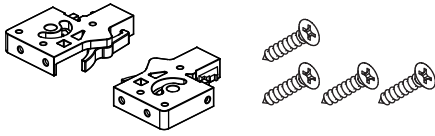


PZ1

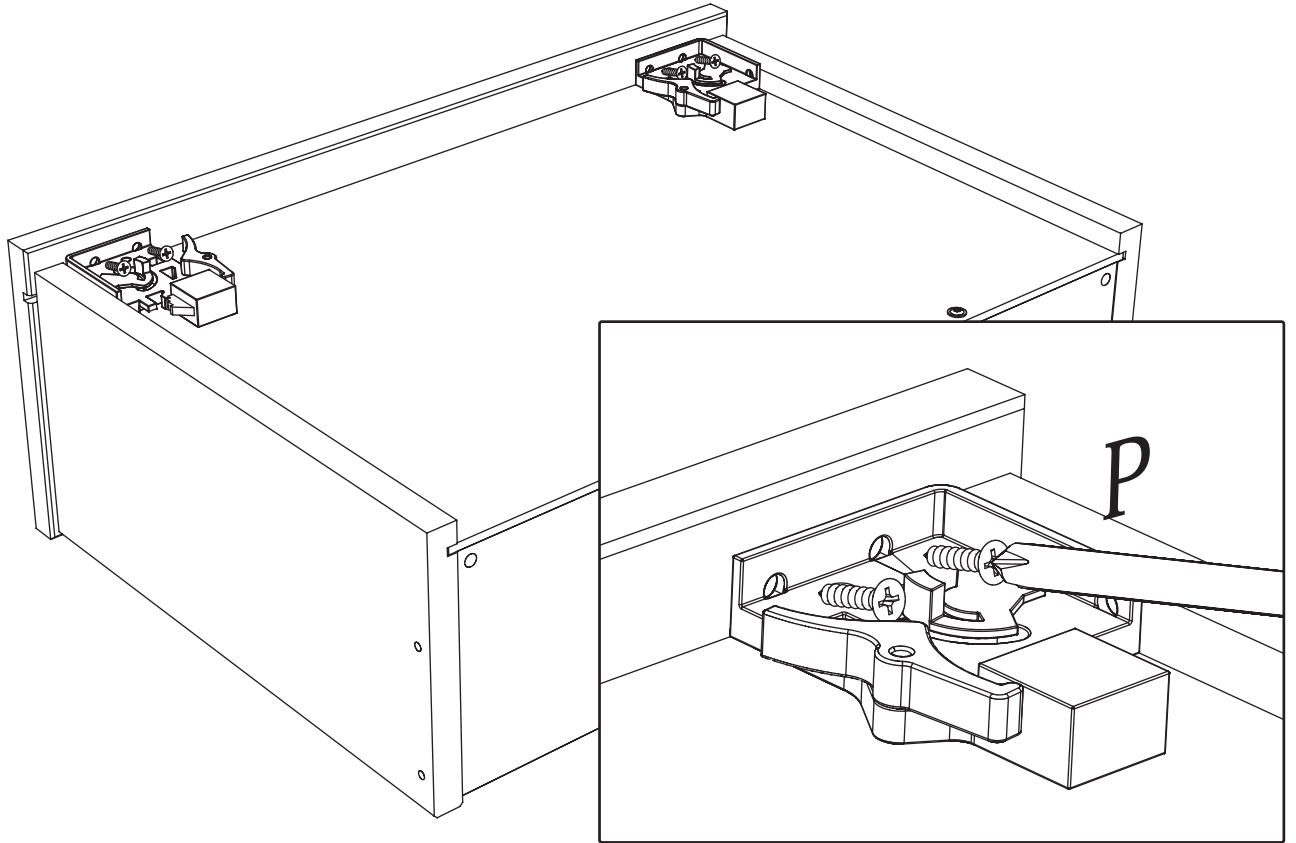


11

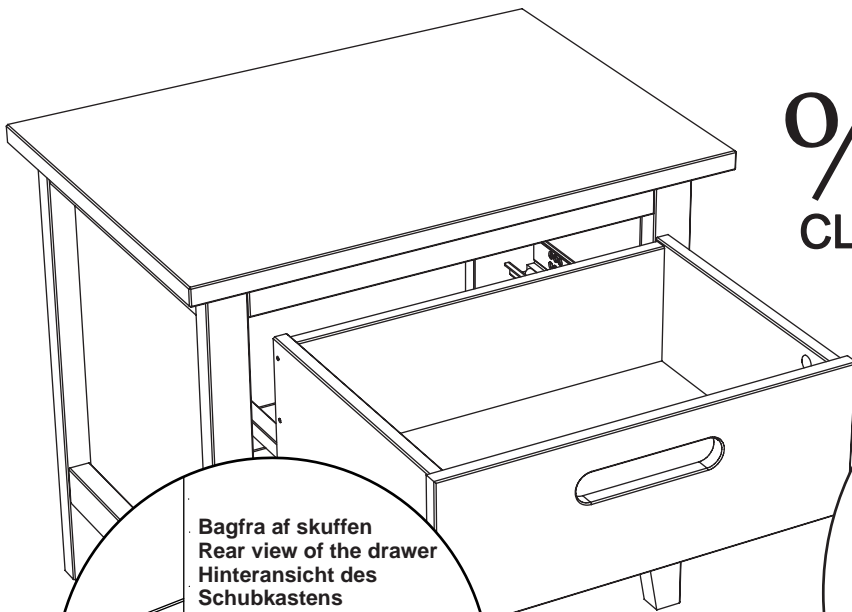
S18 x 1



PZ2



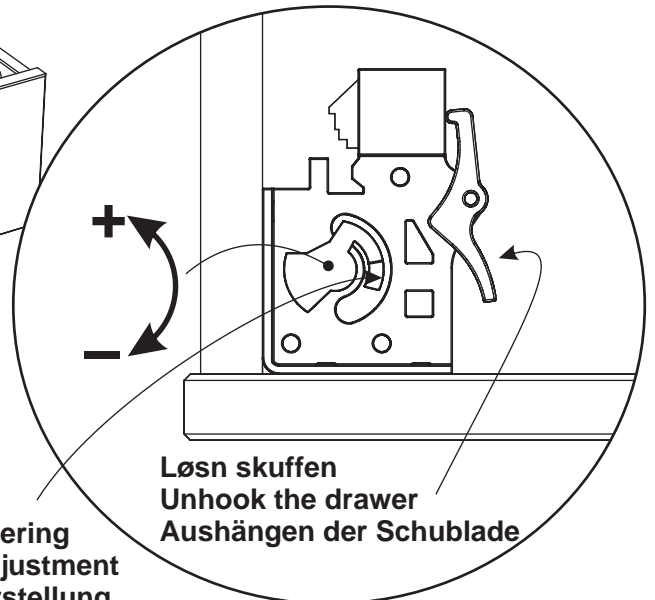
12



0%
CLICK



Bagfra af skuffen
Rear view of the drawer
Hinteransicht des
Schubkastens



Løsn skuffen
Unhook the drawer
Aushängen der Schublade

Højdejustering
Height adjustment
Höhenverstellung