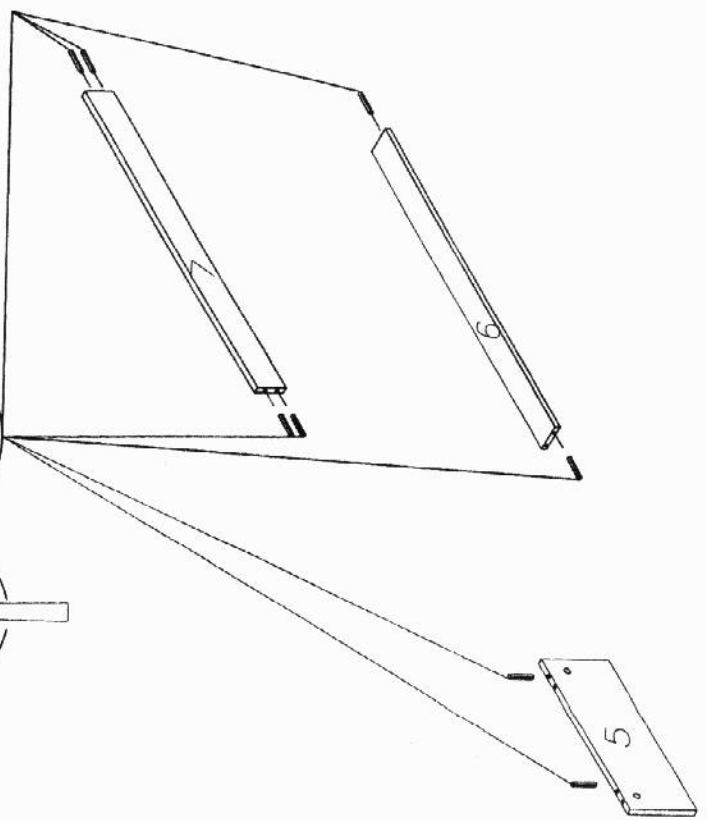
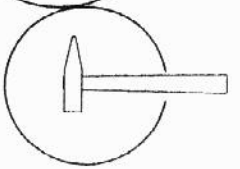


Q	X
4x35	
x 12	x 6

A	B	C	F	G	L	P	R	RA	V	X
L=34	Ø15x12	Ø8x35	3.5x35	1.2x20	M4x9	5.8x11	L=310/17	L=310/27	Ø5x30	Ø12x10
x 20	x 12	x 16	x 16	x 45	x 8	x 16	x 4	x 4	x 8	x 8

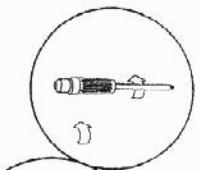
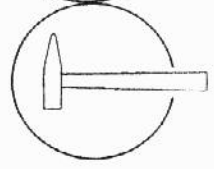
1

8x35
C
x8



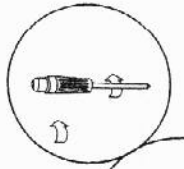
2

8x35
C
x4

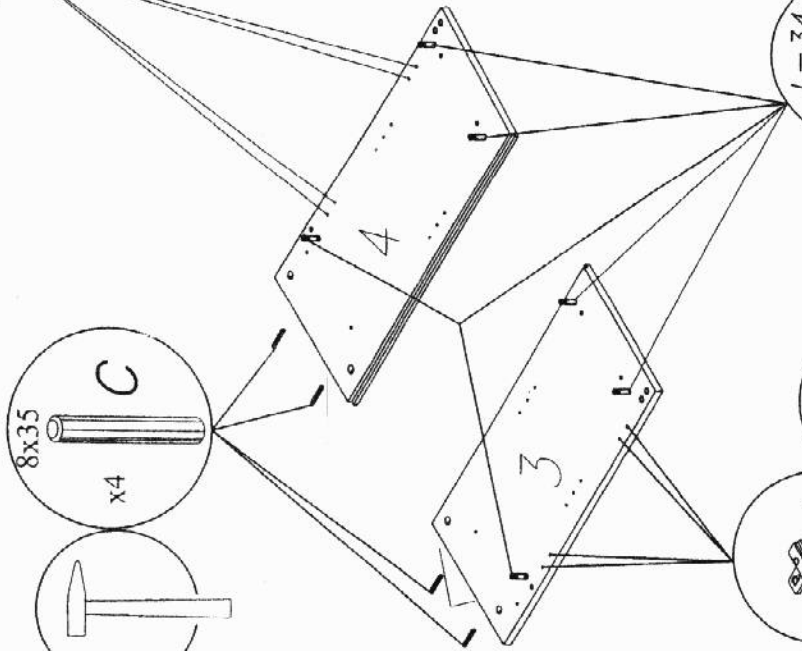
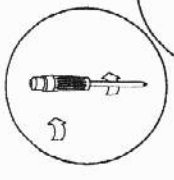


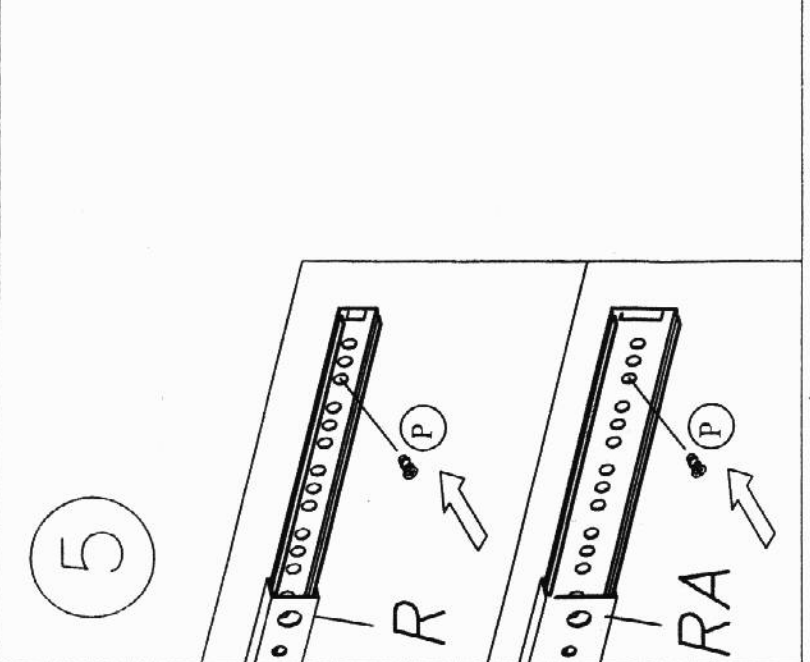
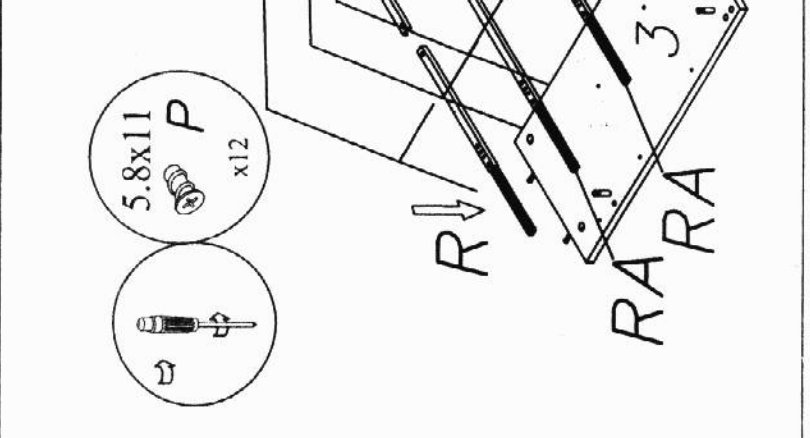
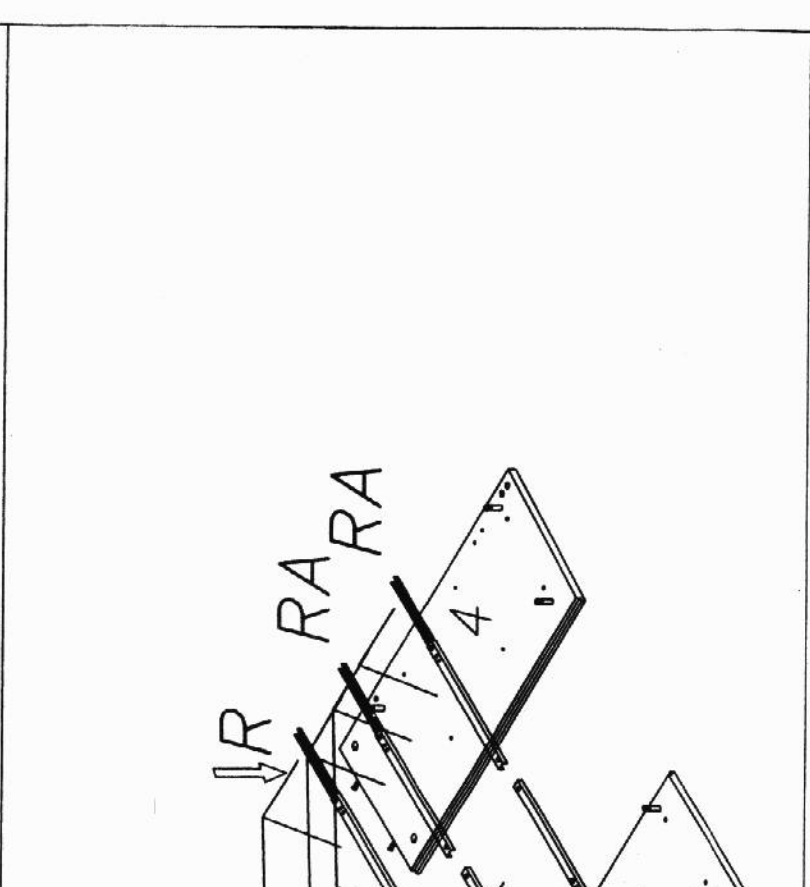
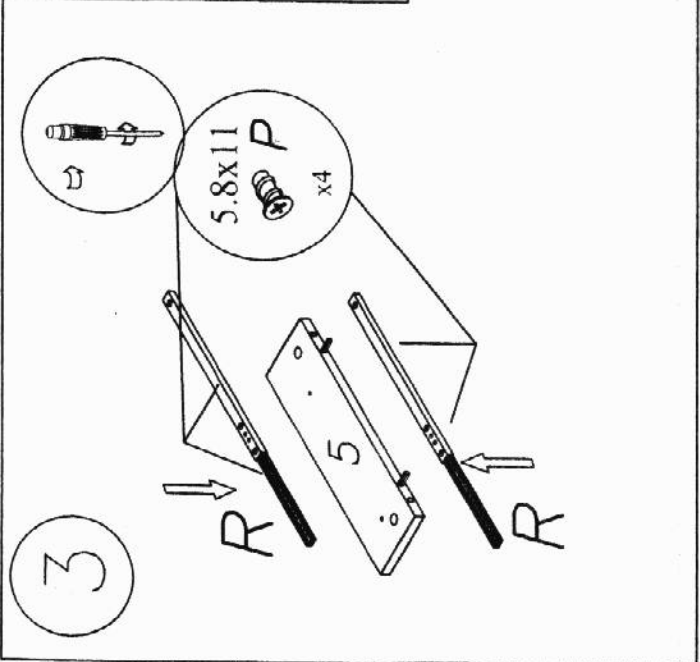
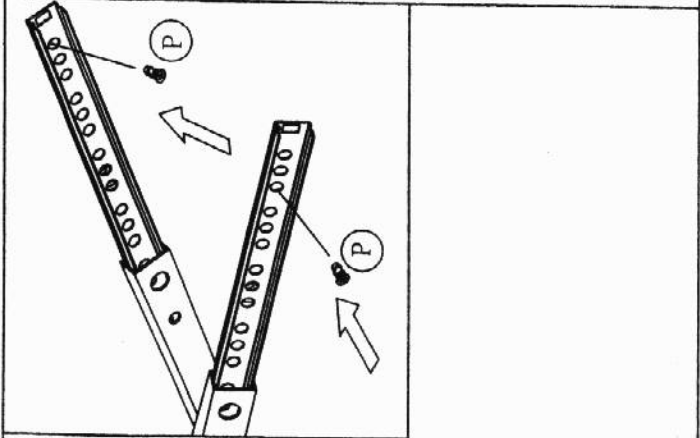
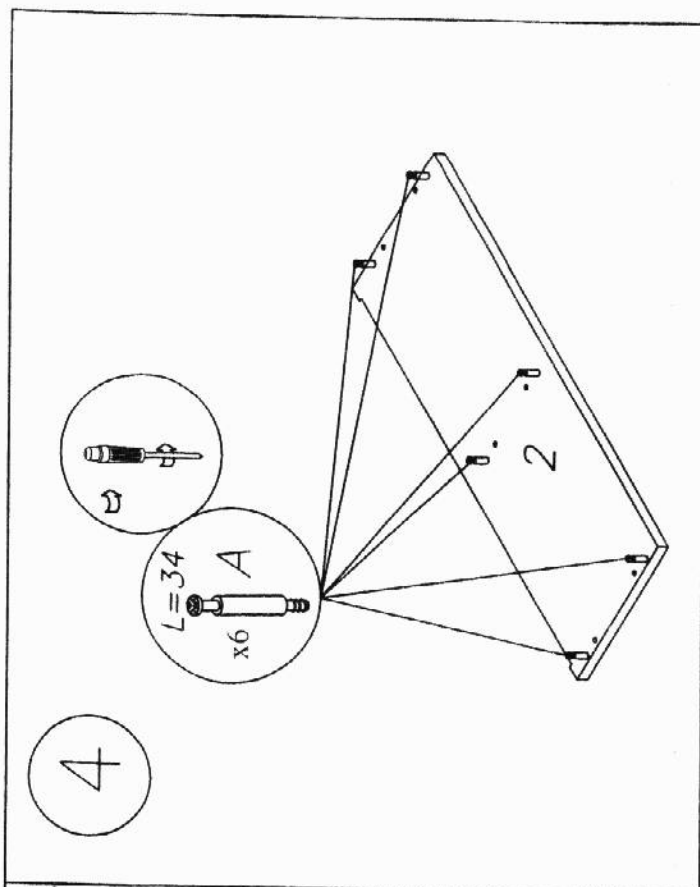
1
x2

L=34
A
x6

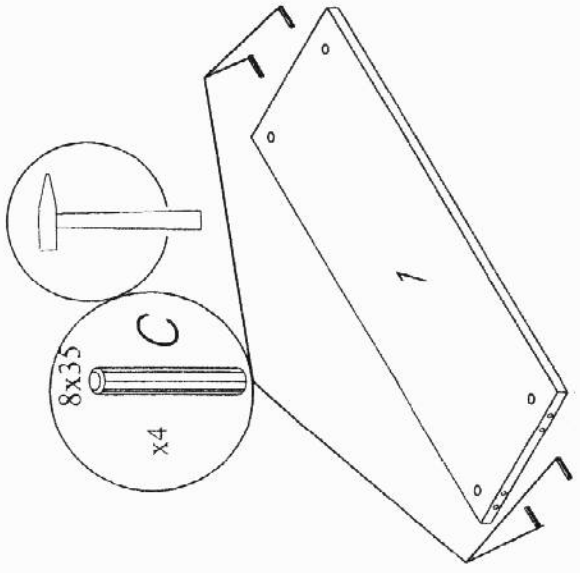


1
x2

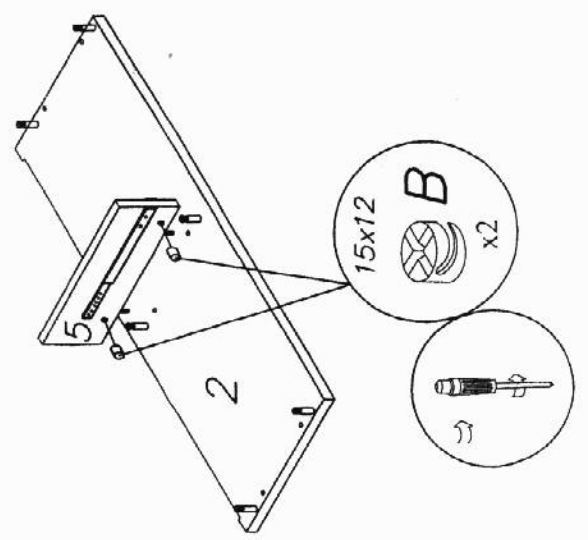




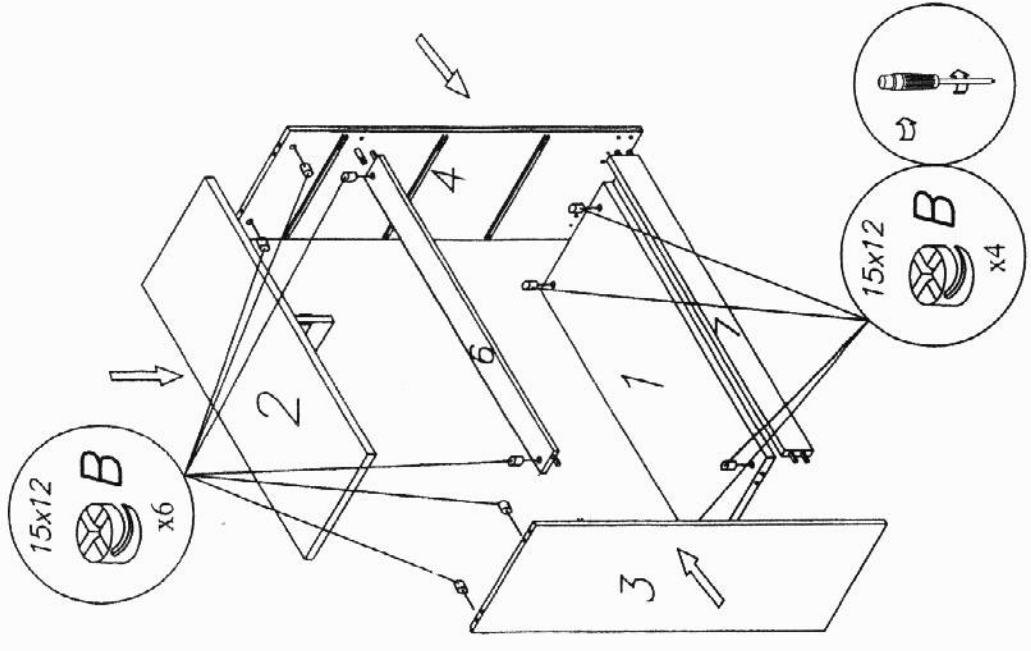
6



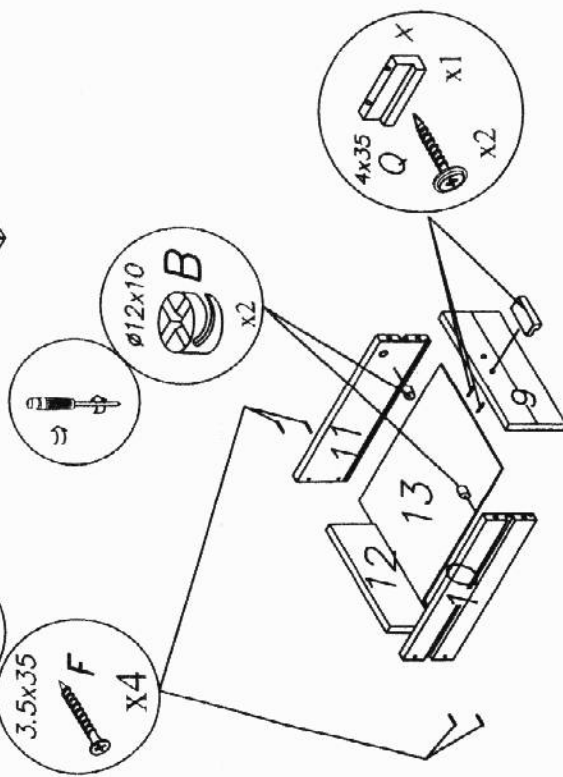
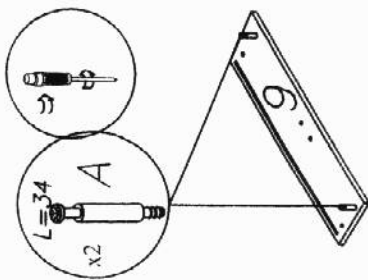
7



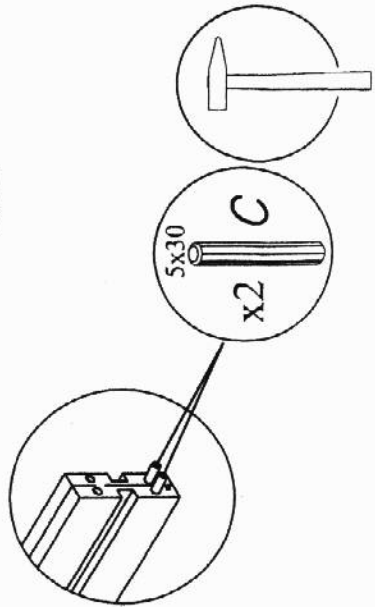
8



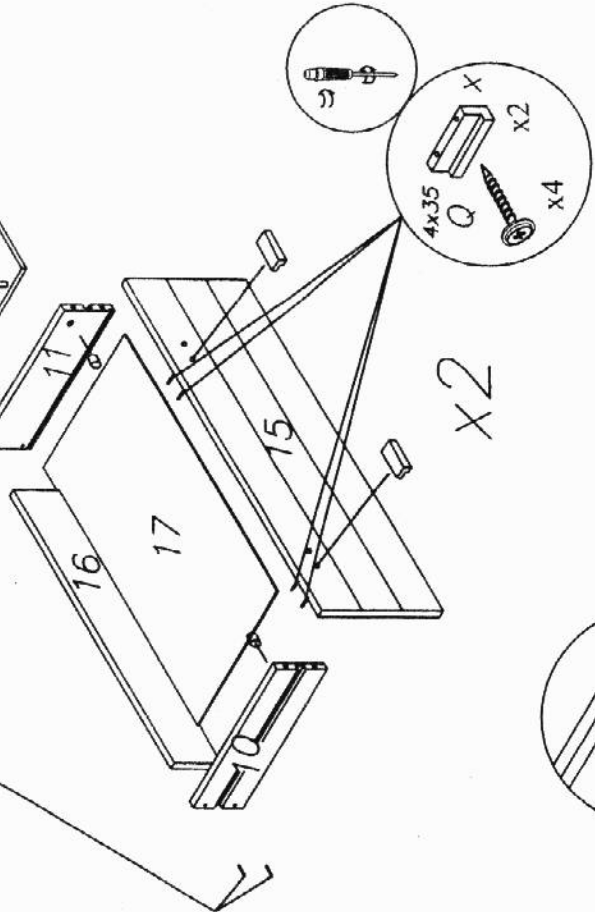
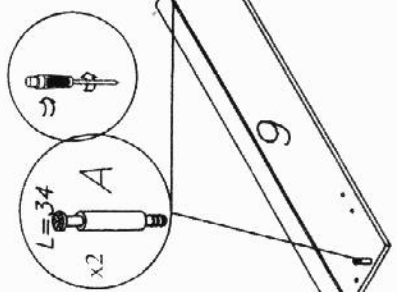
9



x2



10



x2

